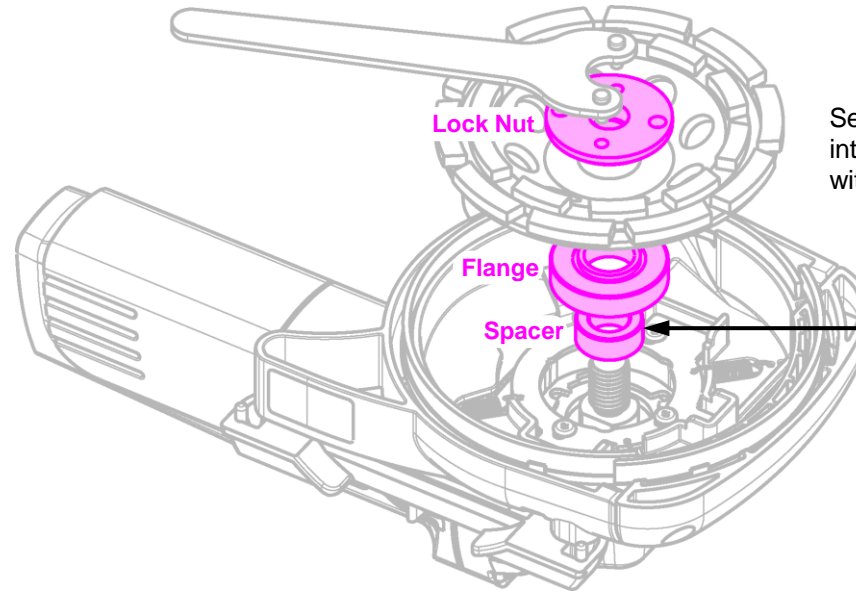
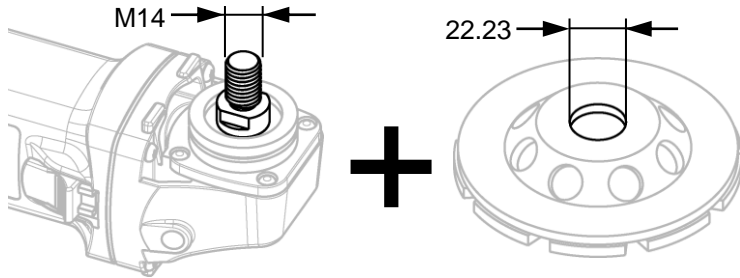


NKCFS-125MA Flange Set for M14 spindle grinder and id22.23 Cup Wheel.



This is sold-separately product for NKC-125MA, when using with **M14** spindle grinders and **id22.23** Cup Wheels.



Set Spacer, Flange, and Cup Wheel into the Spindle then tighten Lock-Nut with Wrench.

Choose proper spacer from **T7 / T10 / T12**.

Brand	BOSCH		<i>Milwaukee</i>	DEWALT	<i>Makita</i>	metabo	<i>HIKOKI</i>
image							
Proper Sapcer							