

(1) Loosen M4 Bolt x 3pcs. at back side and detach the Adapting Unit.

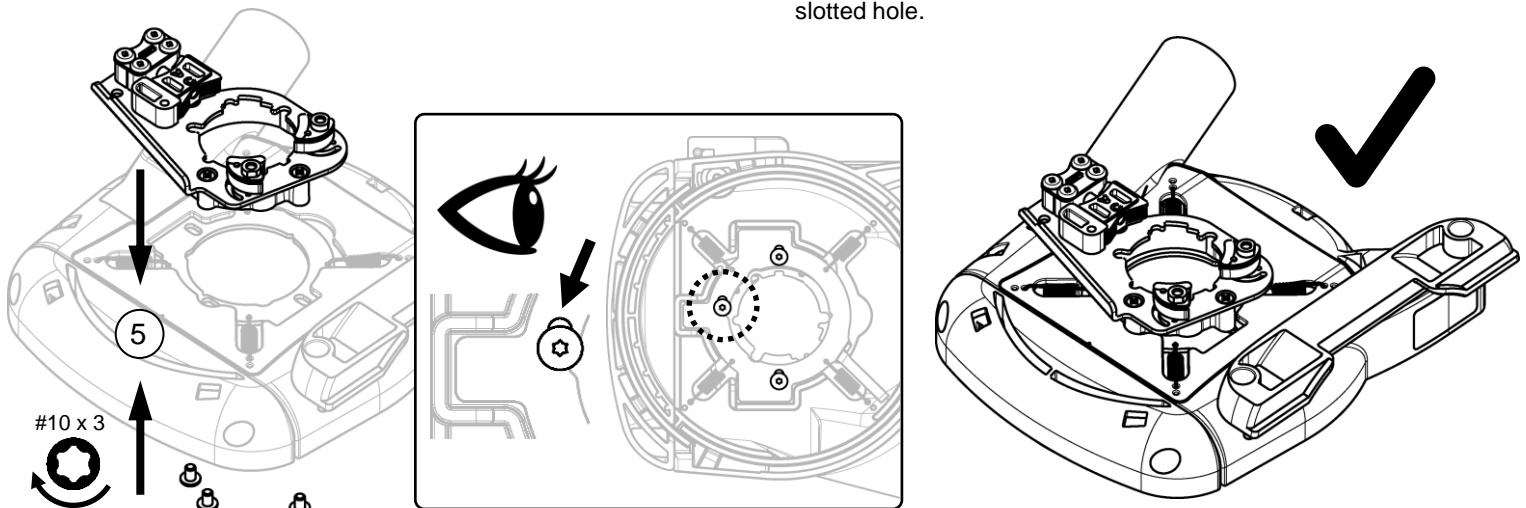
(2) Add **[m] Washer** (this part) into the Lower Bracket. (2pcs.)

(3) Change the Upper Bracket direction by operating [d] Wrench.

(4) Turn the Lower Bracket clockwise until it stops. (2pcs.)

(5) Re-tighten M4 Bolt x 3pcs. to return the Adapting Unit to its original position.

※ Pay attention to the position of the M4 Bolts relative to the slotted hole.



**⚠ Makita**

40Vmax, GA5050R type need its lever detached.

