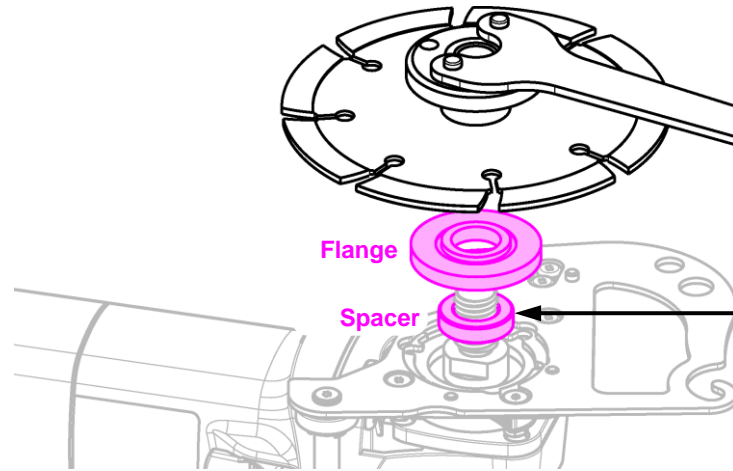
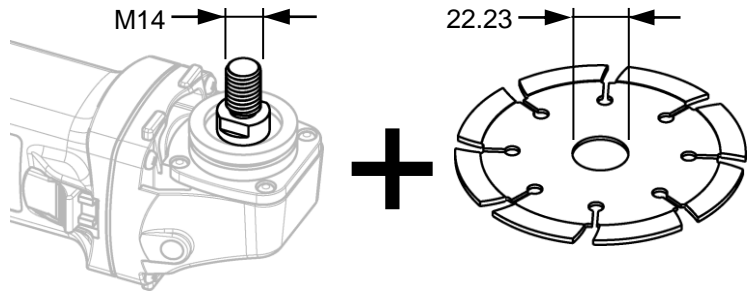


NKFS-125MA Flange Set for M14 spindle grinder and id22.23 Diamond Blade.



This is sold-separately product for NK-125MA, when using with **M14** spindle grinders and **id22.23** Diamond Blade.



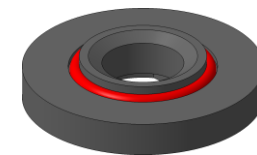
Set Spacer, Flange, and Blade into the Spindle then tighten Lock-Nut with Wrench.

Choose proper spacer from **T6 / T7 / T9.5**

DEWALT			BOSCH		<i>Milwaukee</i>	



Use the **Original Flange** for the models on the right. (NKFS-125MA is NOT needed)



Original Flange