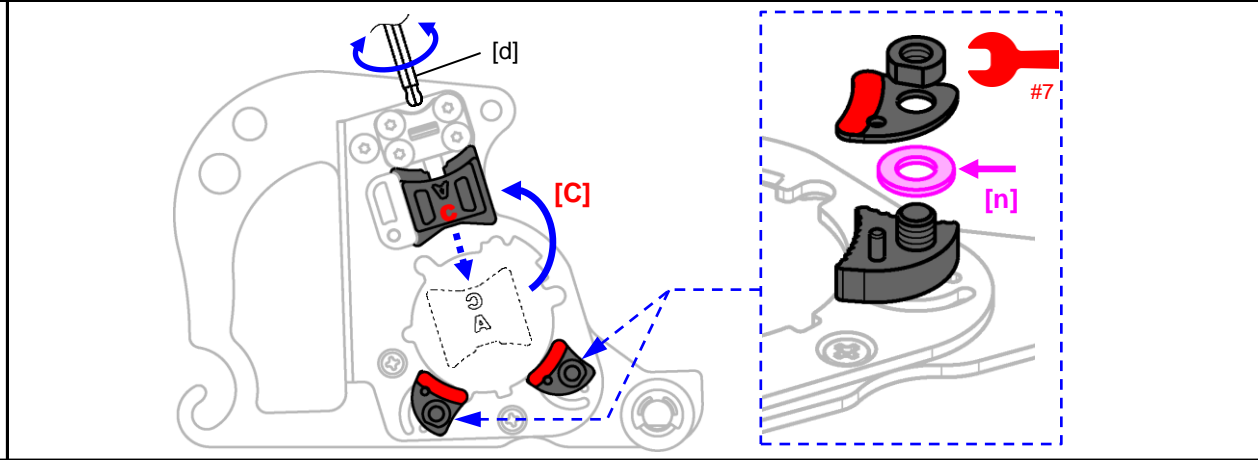
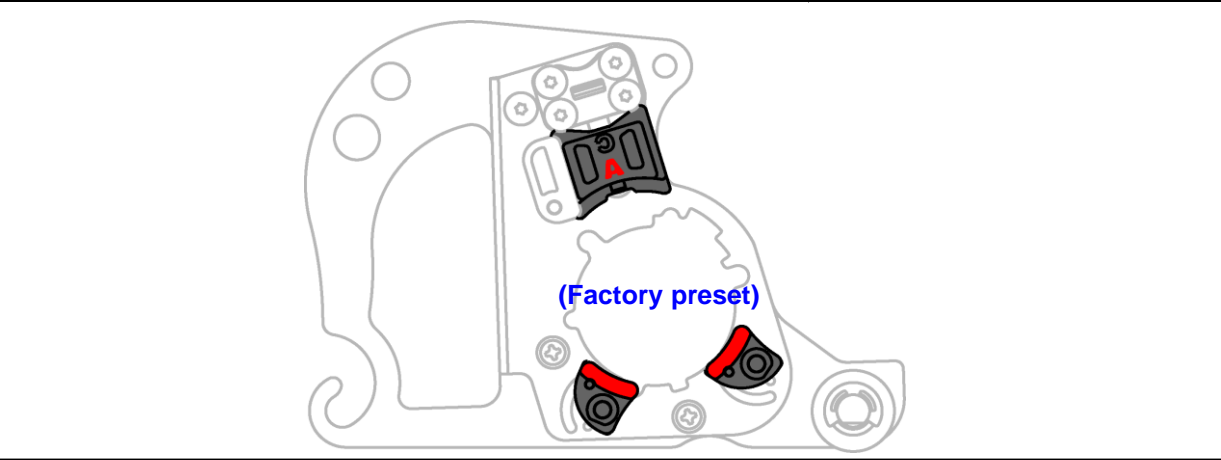
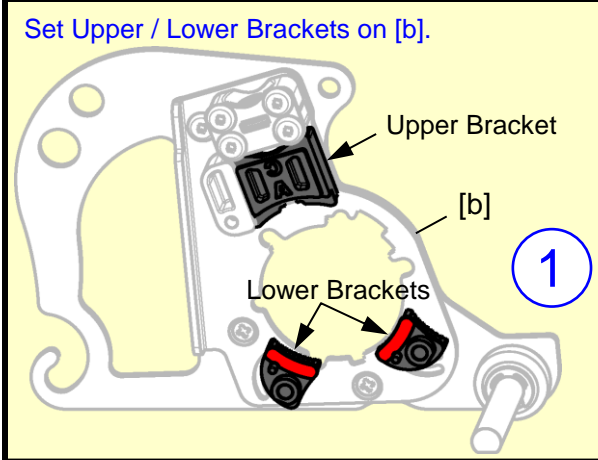
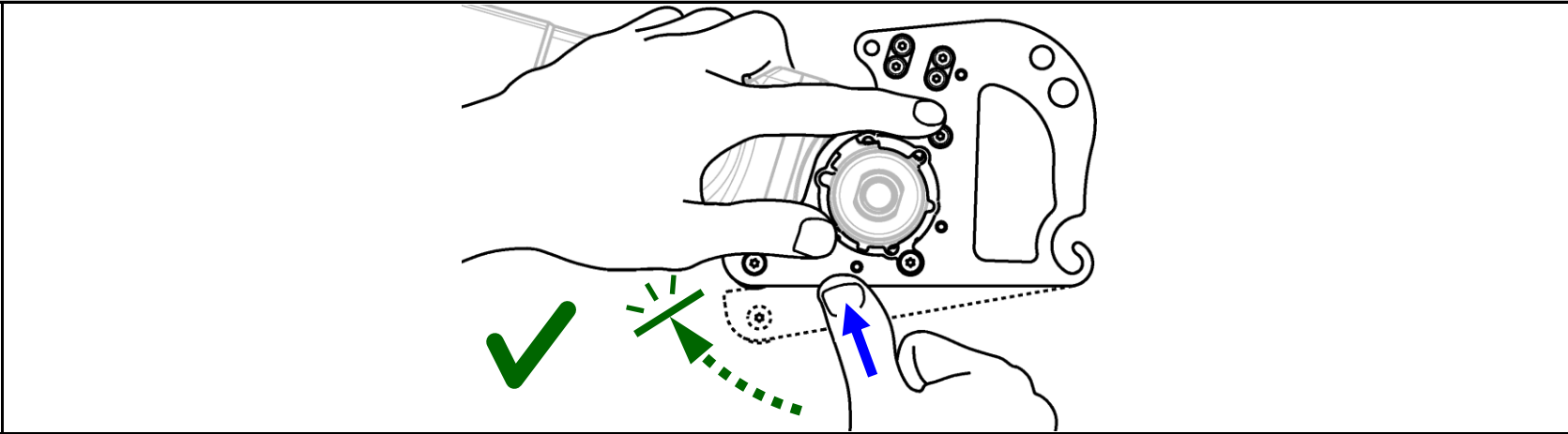
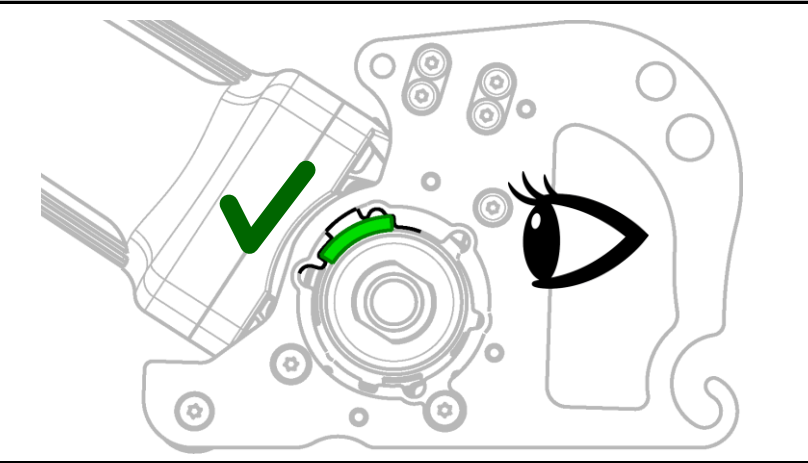
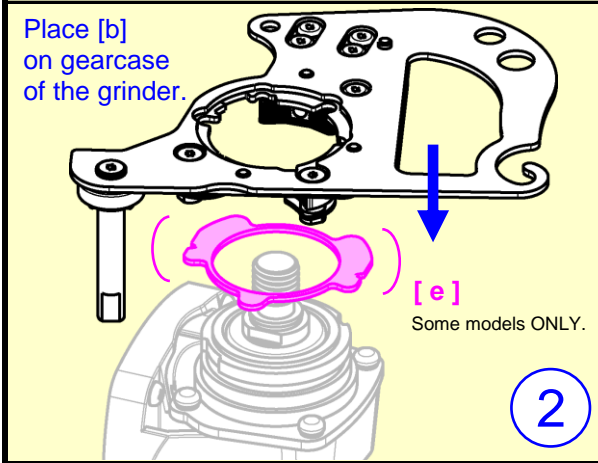
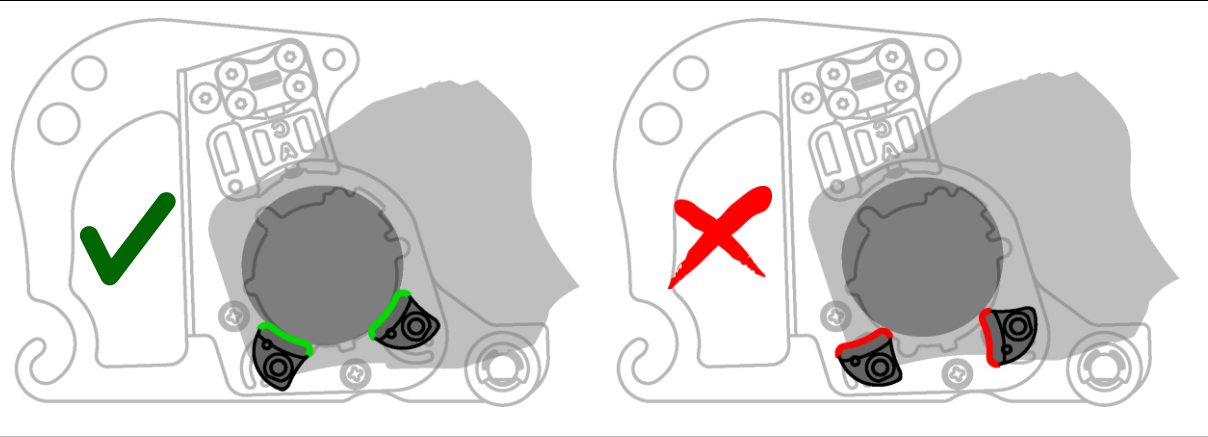
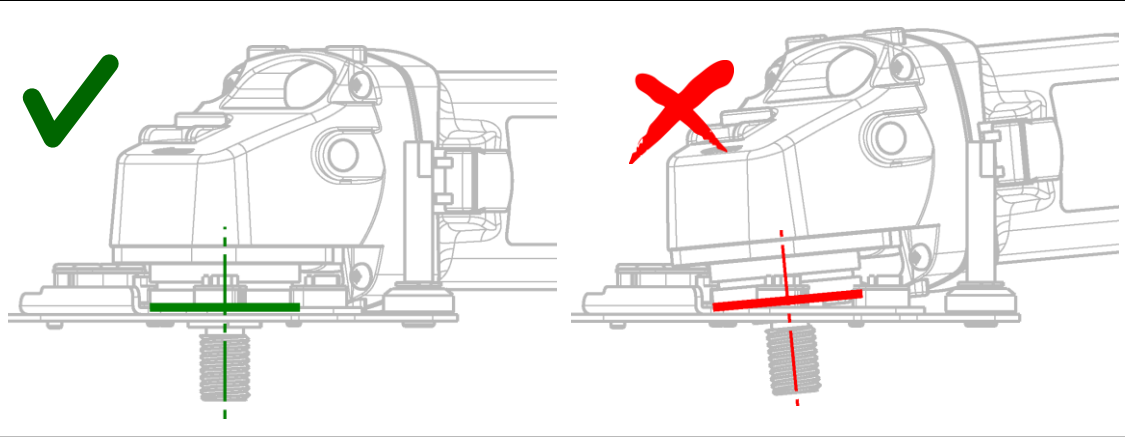
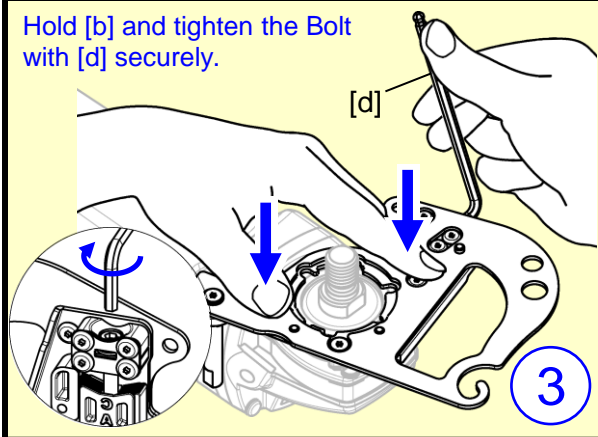
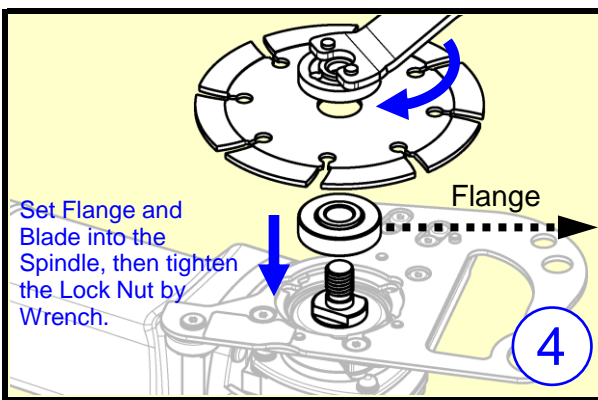


NK-125MA

Installation Guide

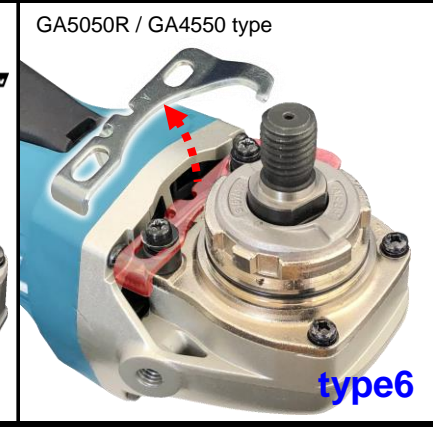
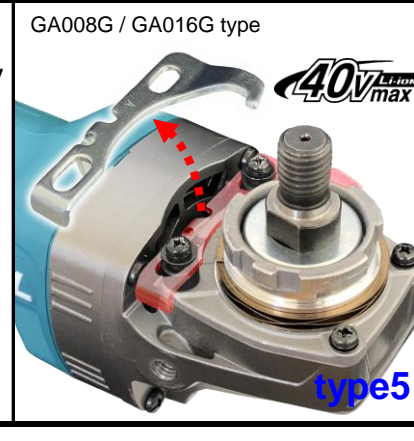
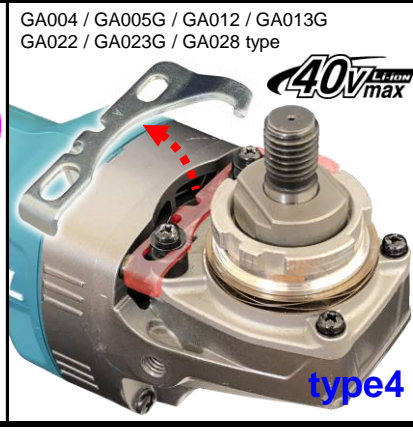
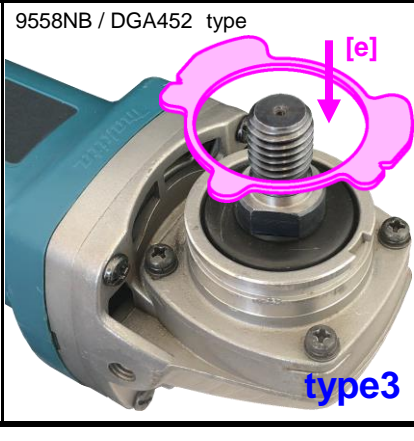
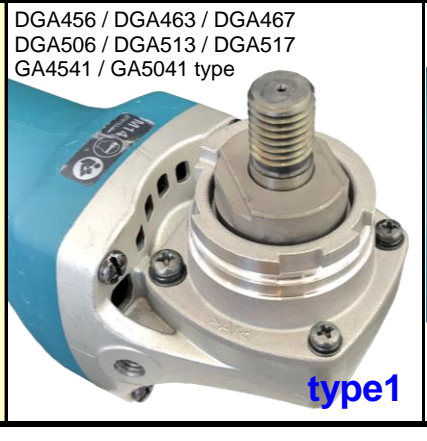


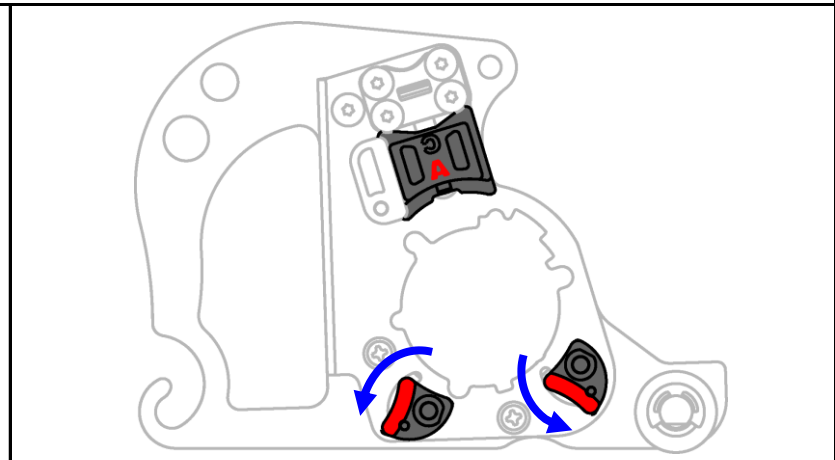
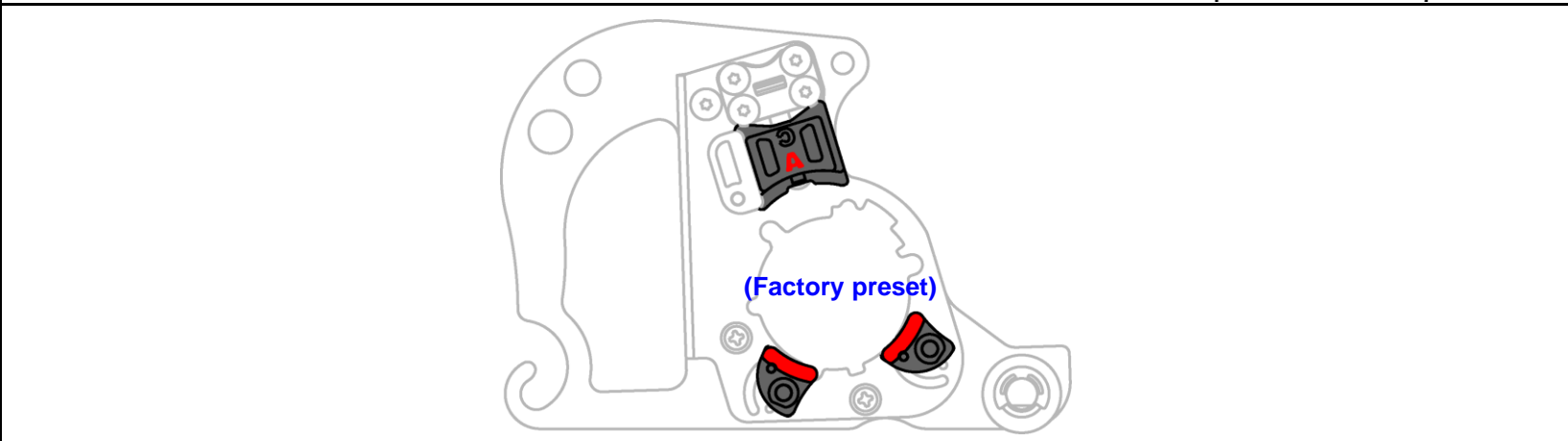
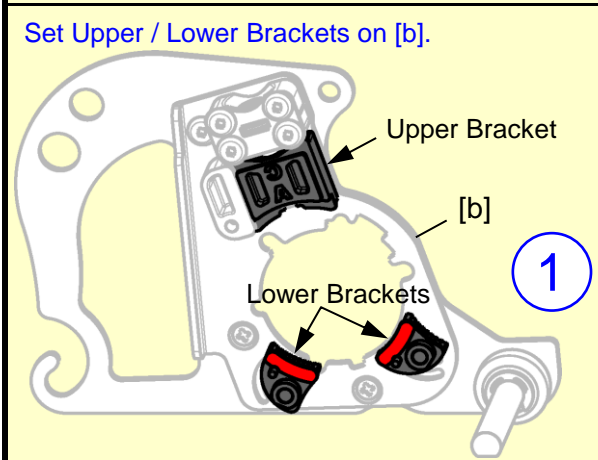
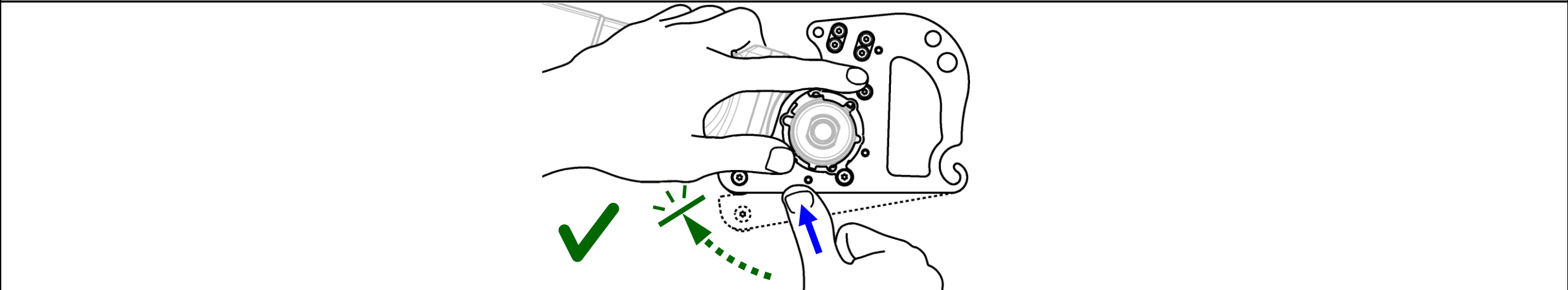
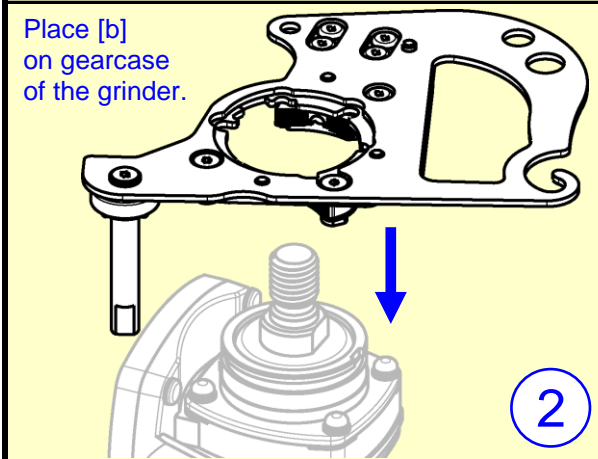
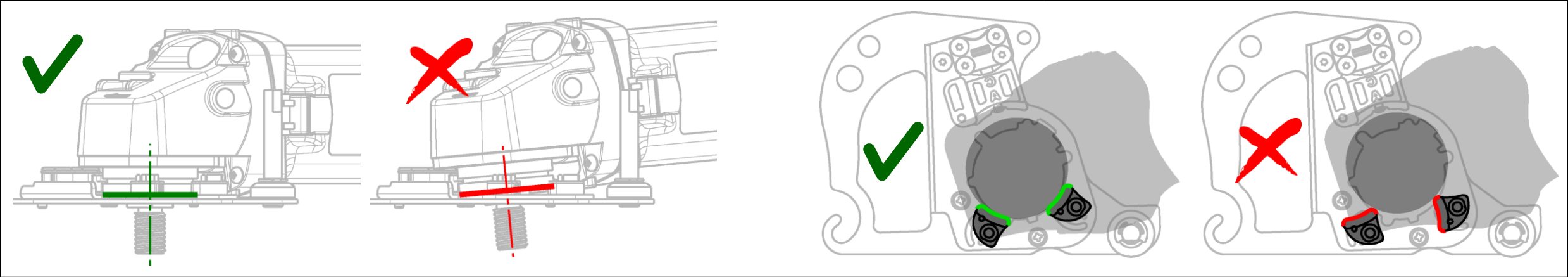
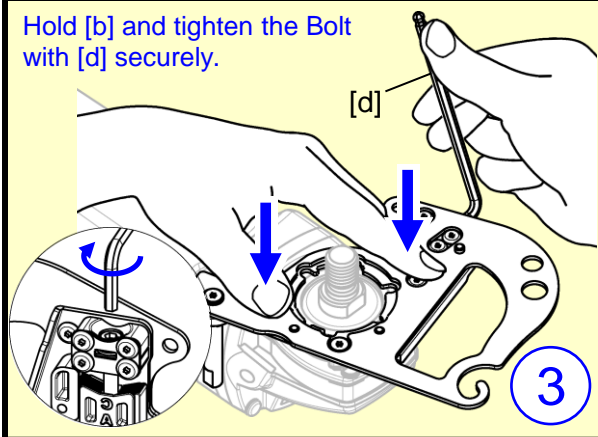
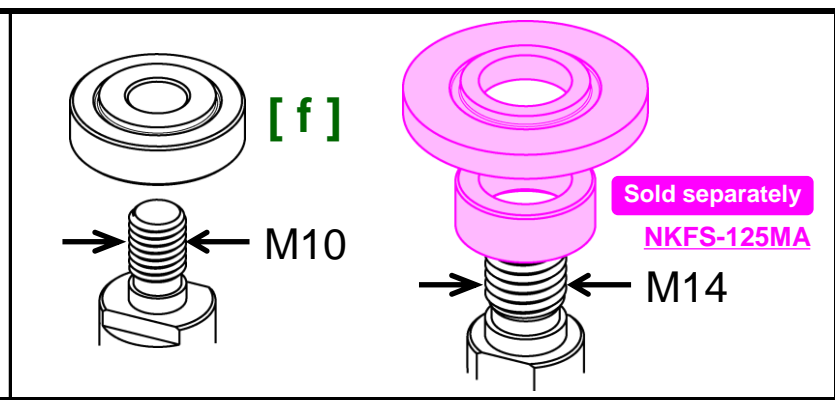
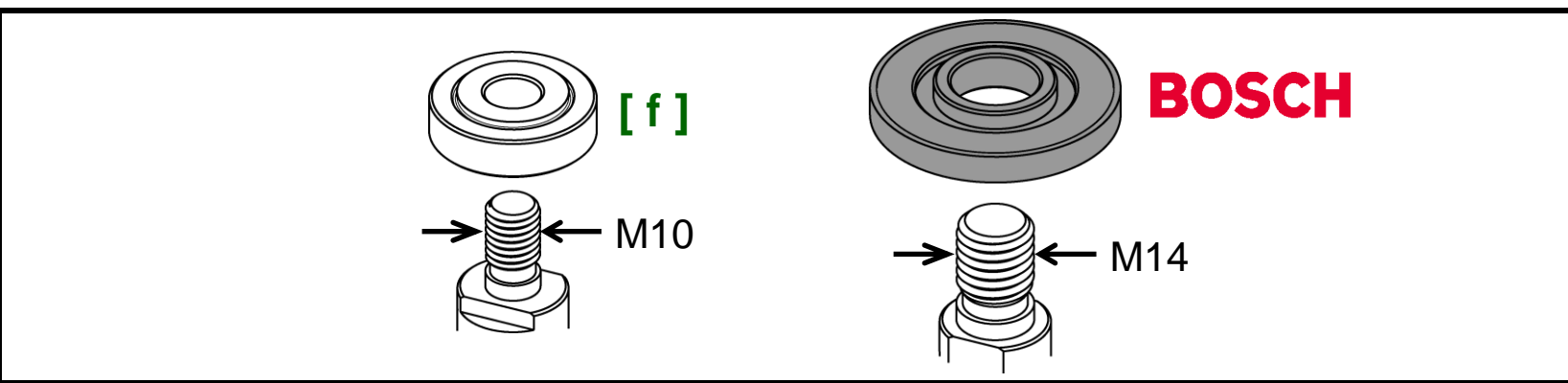
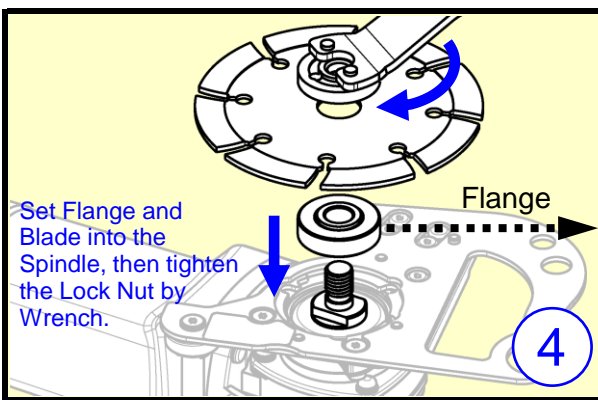


Makita

⚠ **XLOCK** model can't be fitted.

※Based on the web information as of 2022 Sep.

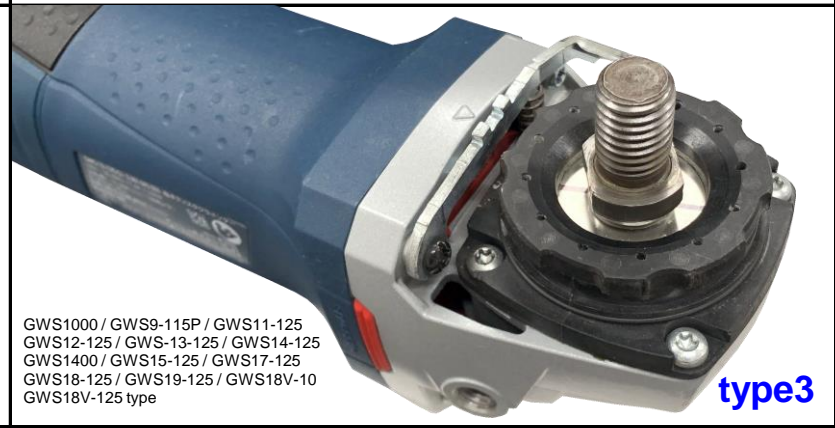
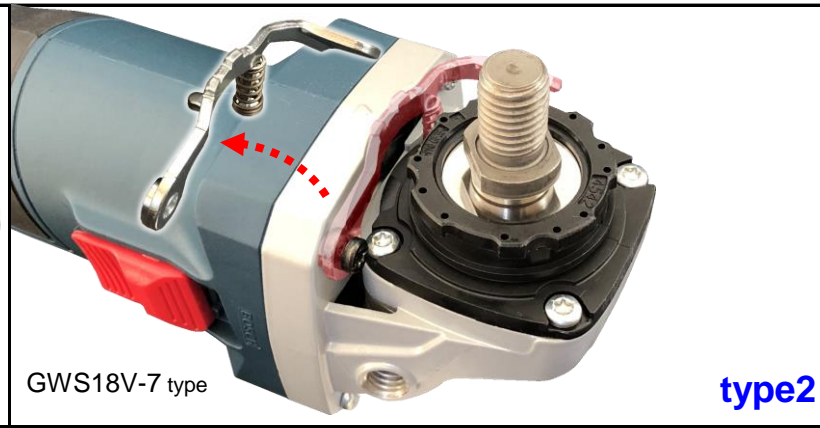


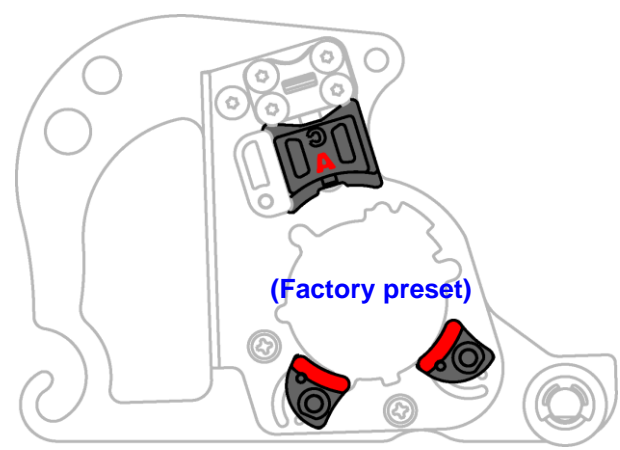
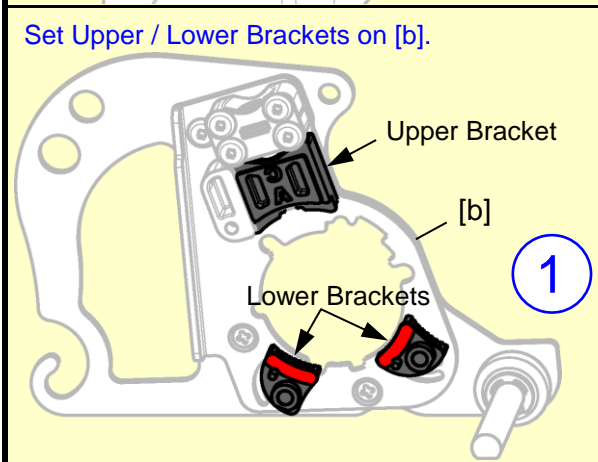
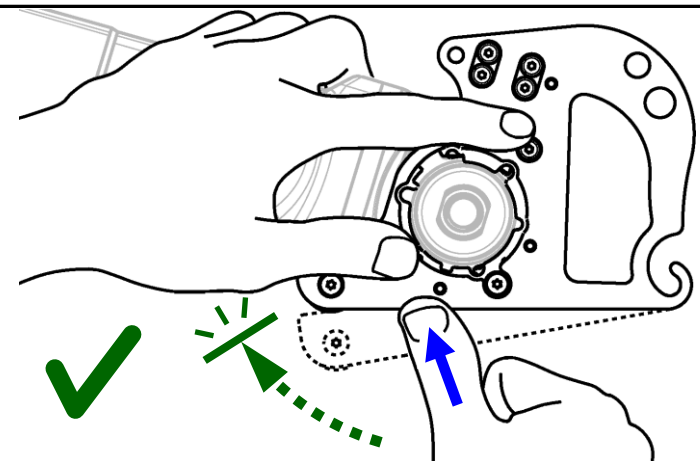
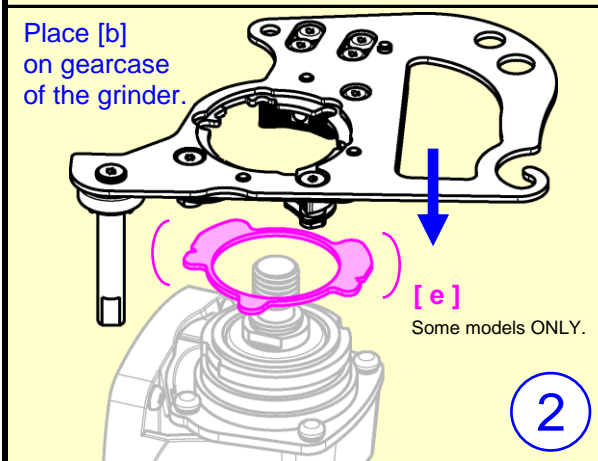
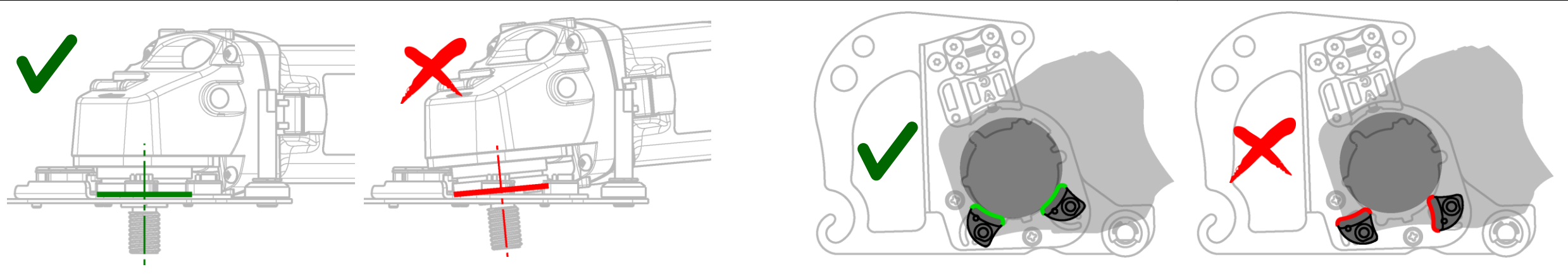
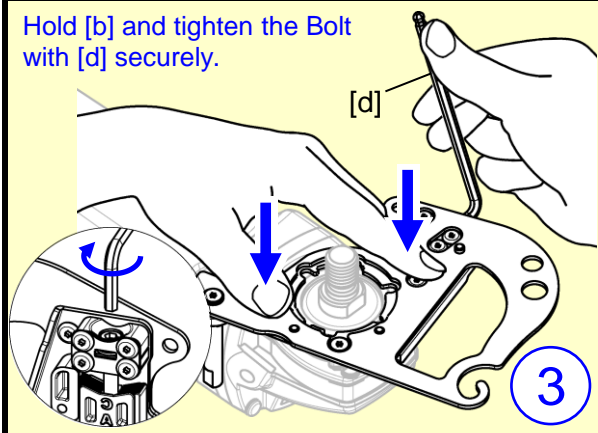
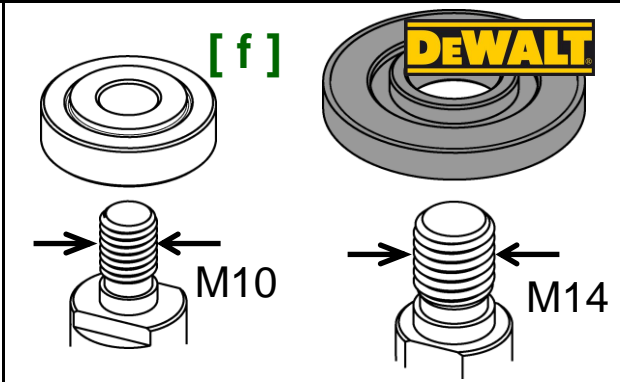
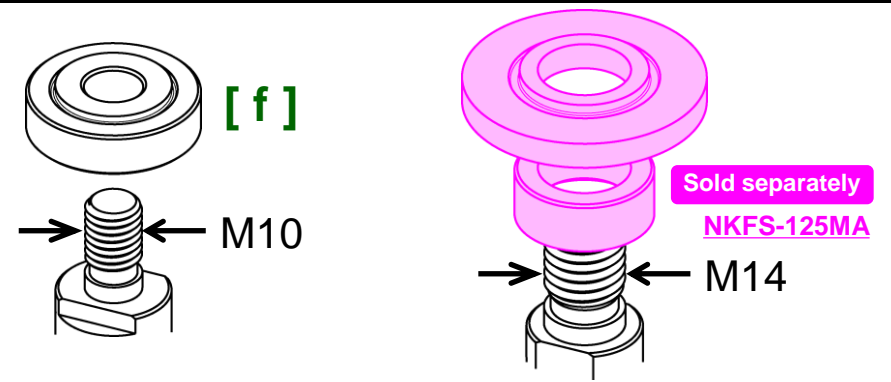
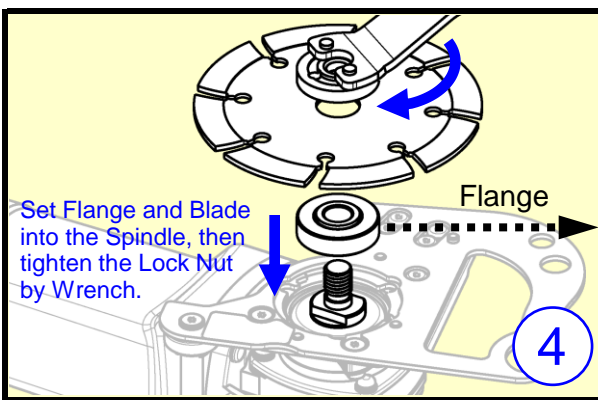


BOSCH

⚠ **XLOCK** model can't be fitted.

※Based on the web information as of 2022 Sep.

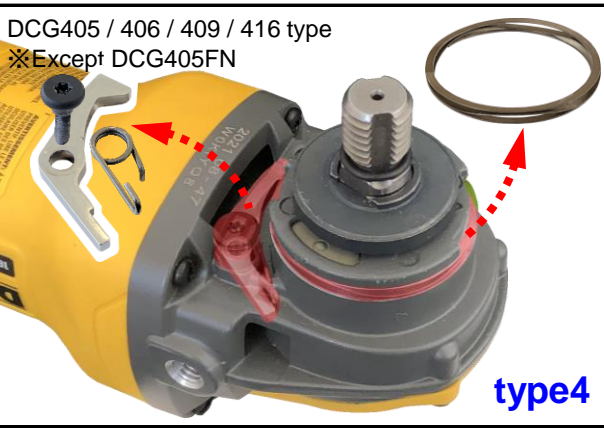
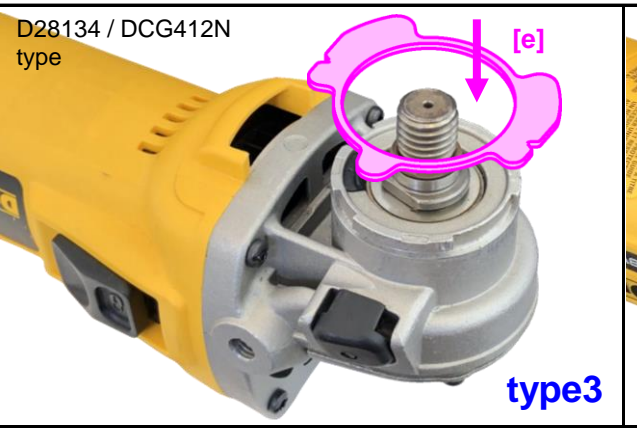
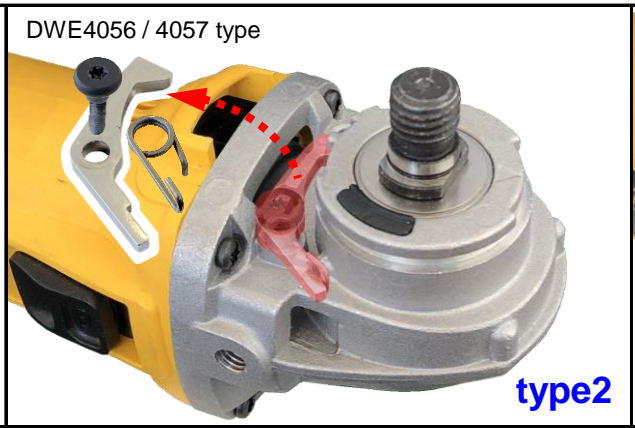
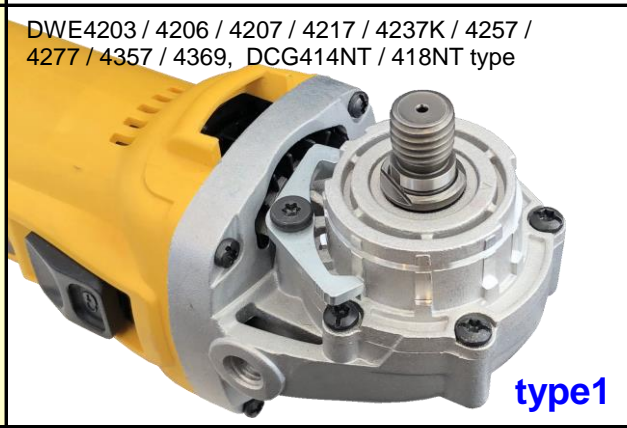


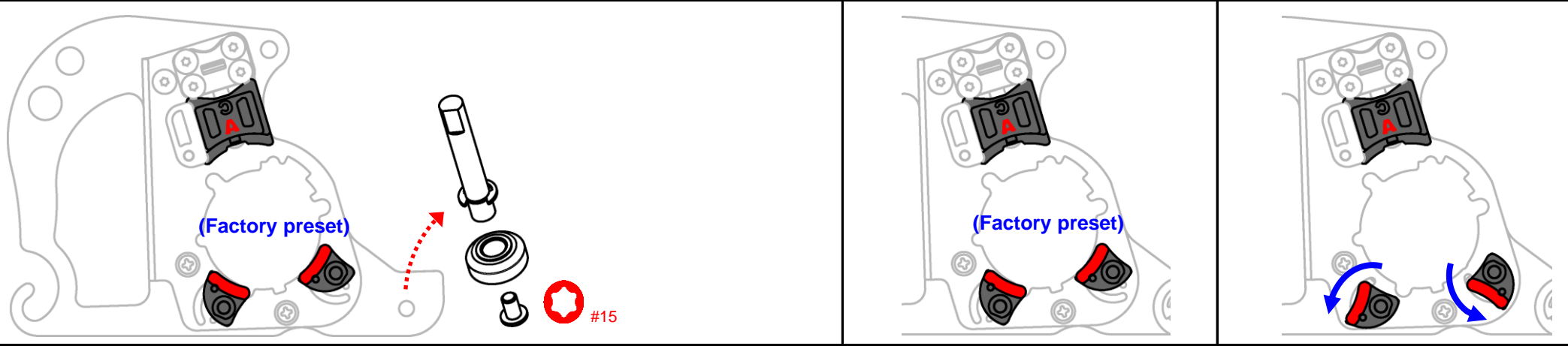
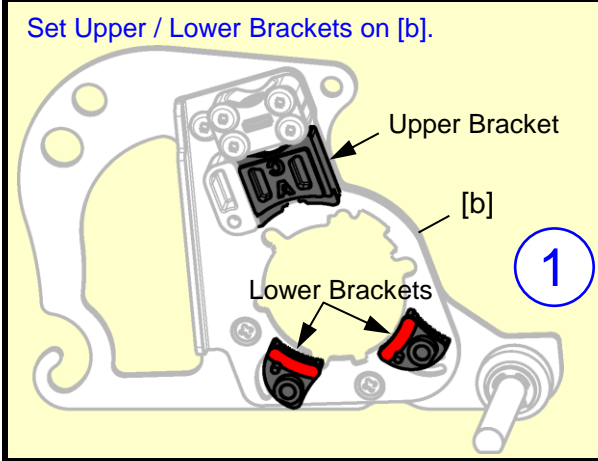
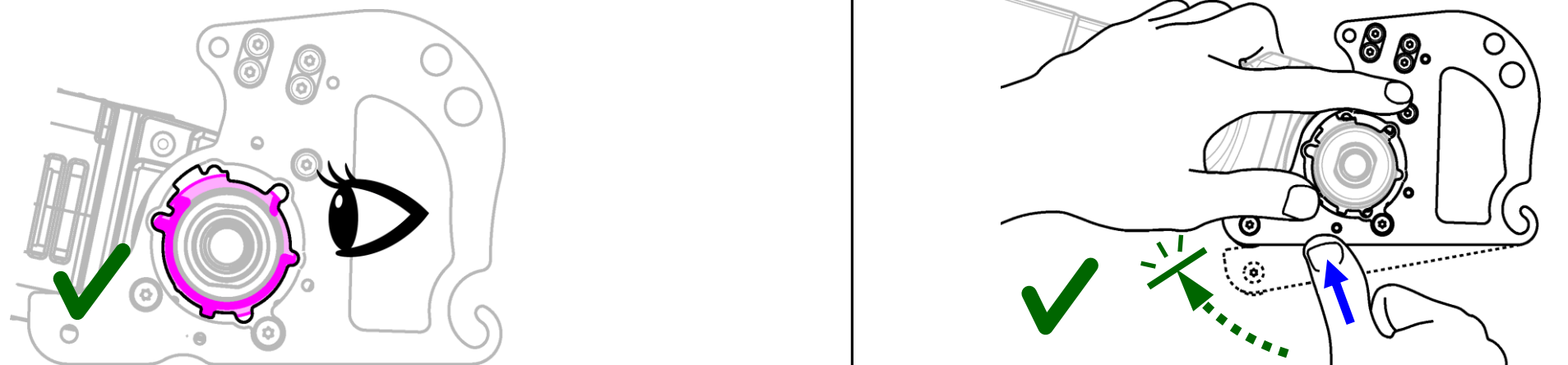
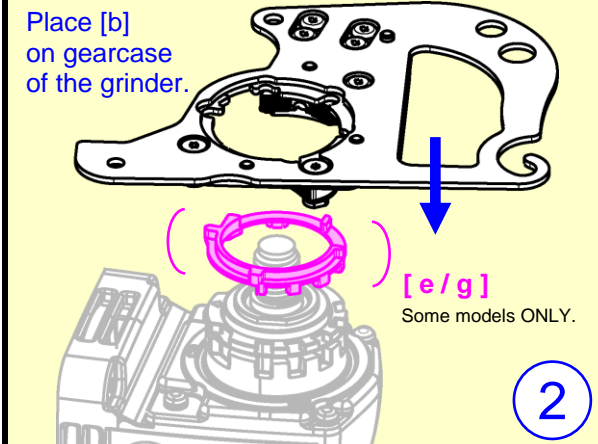
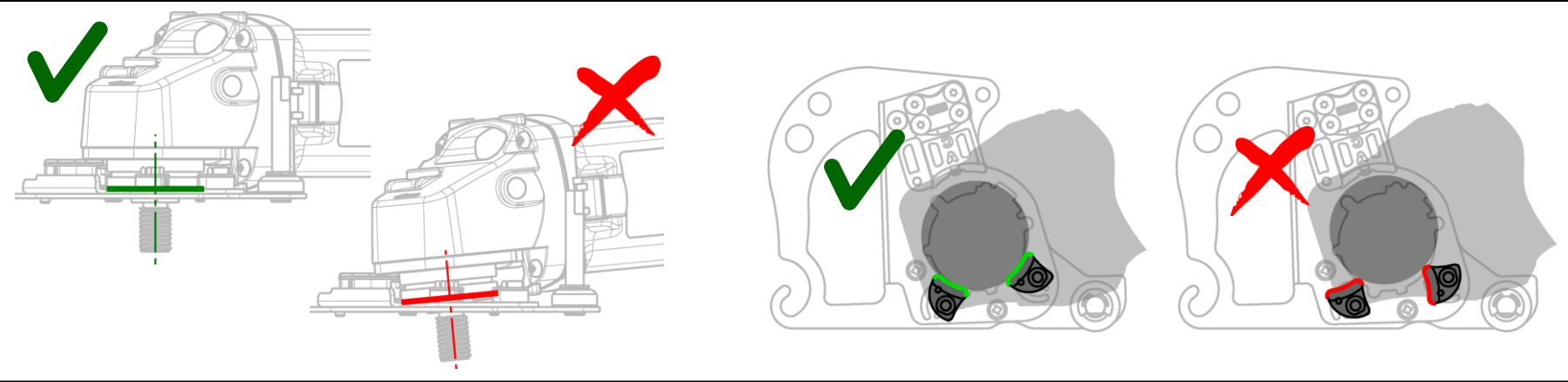
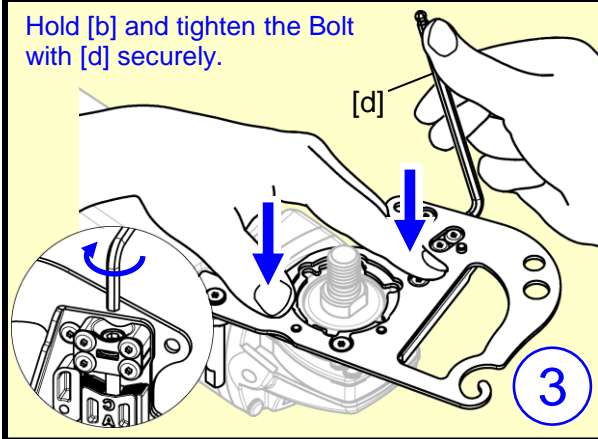
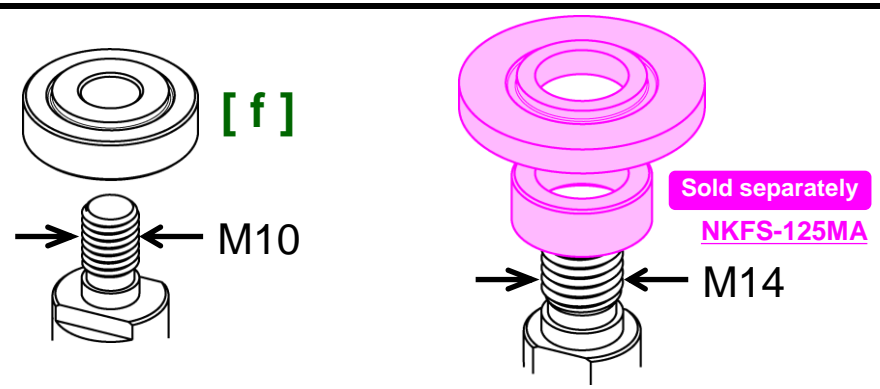
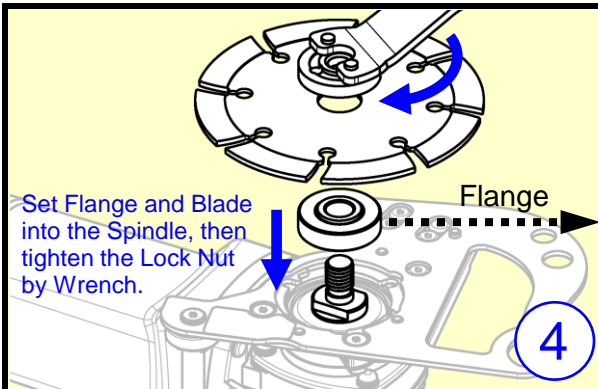


DEWALT

⚠ D28137 / DCG405FN can't be fitted.

※Based on the web information as of 2022 Sep.

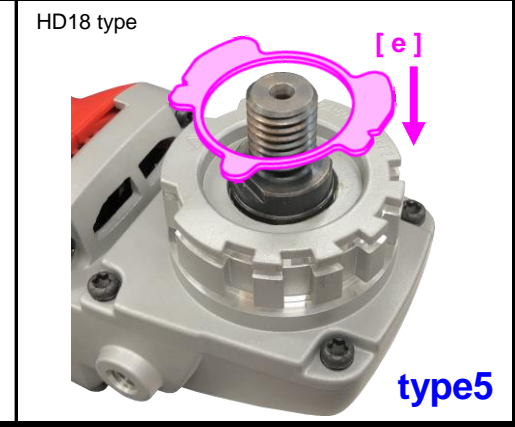
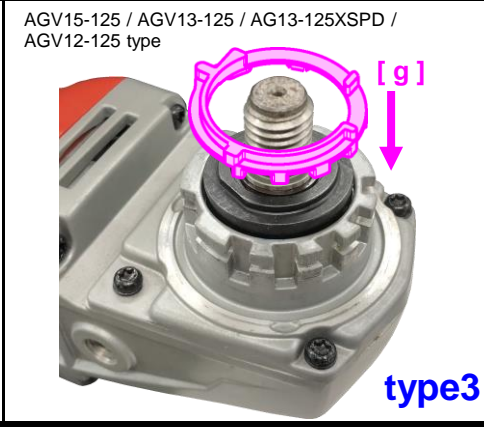
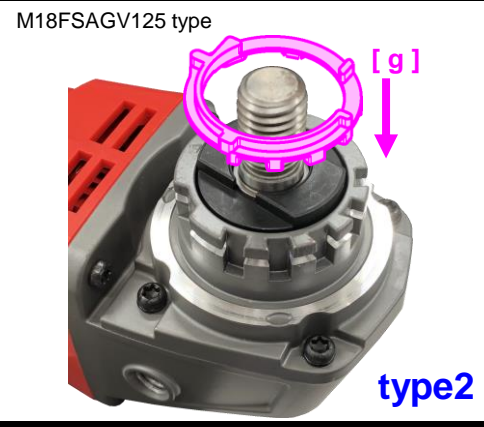
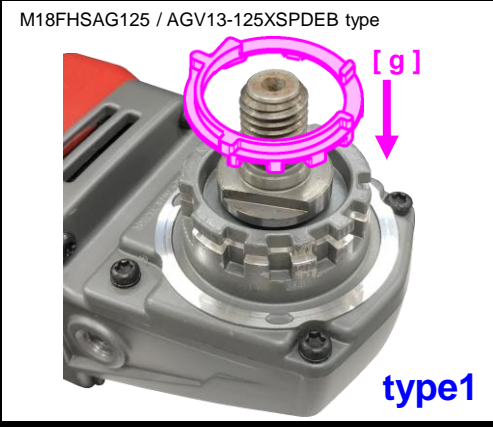


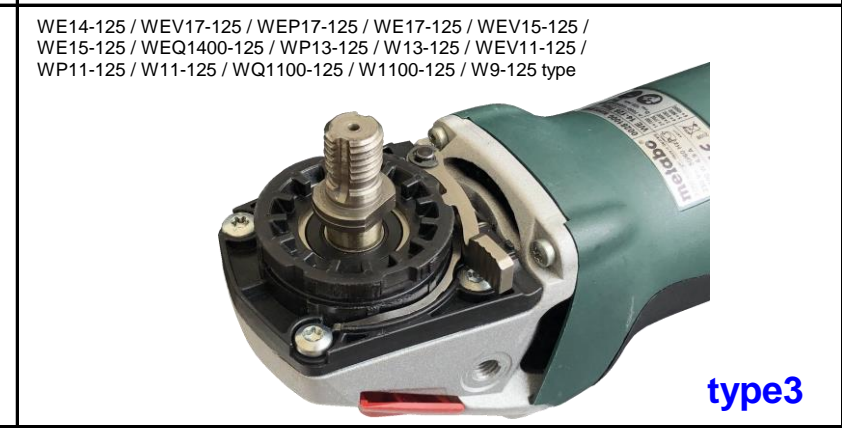
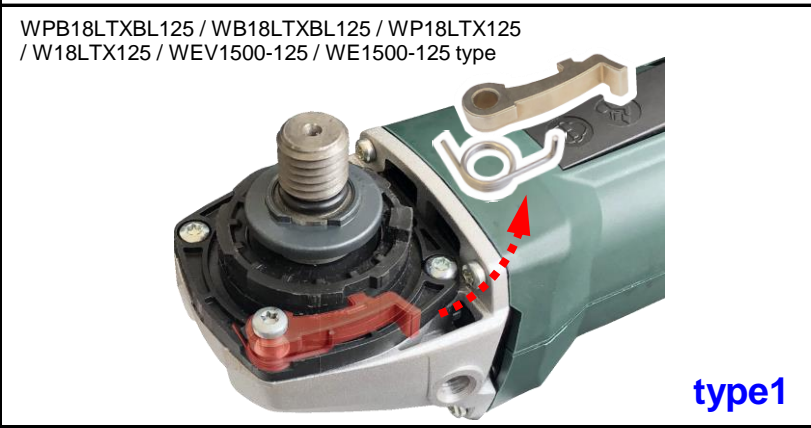
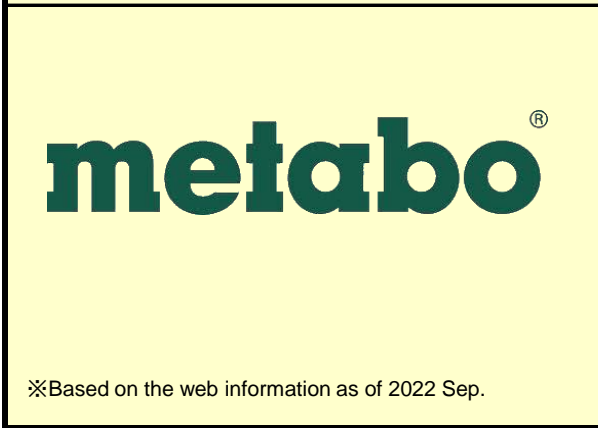
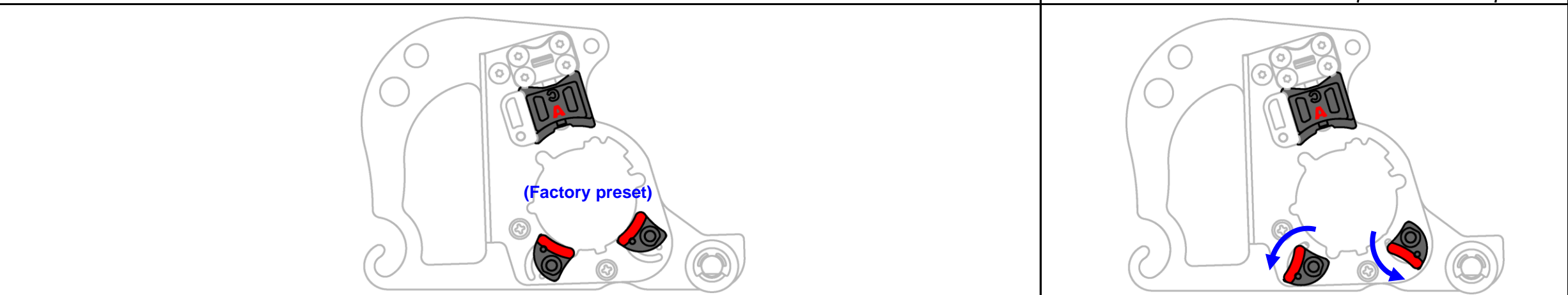
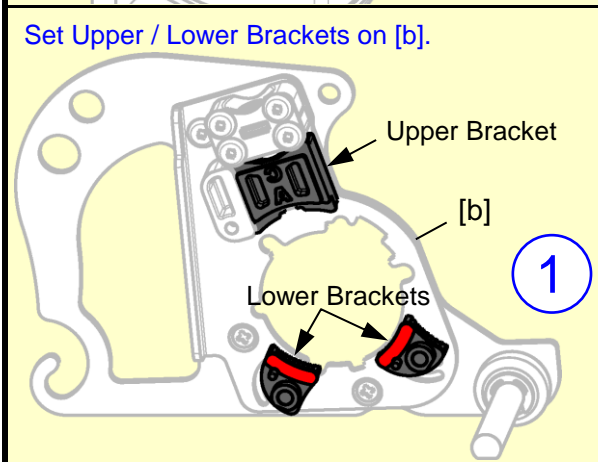
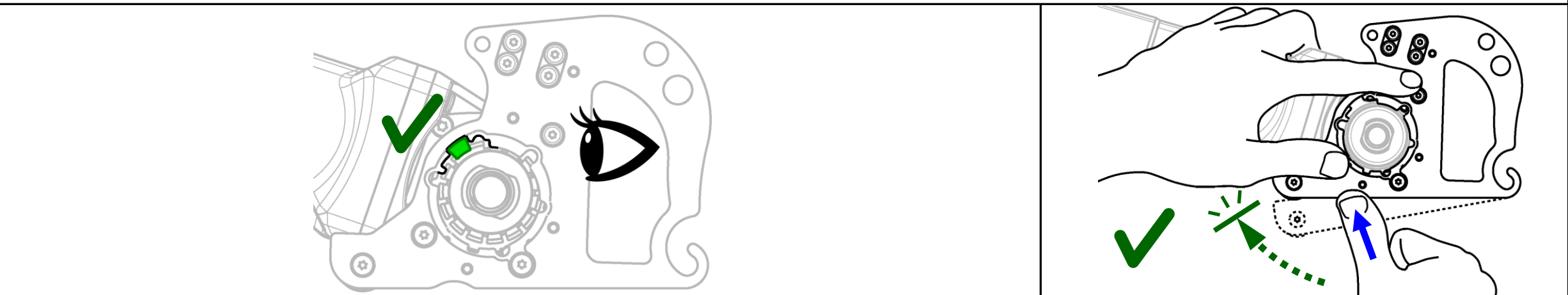
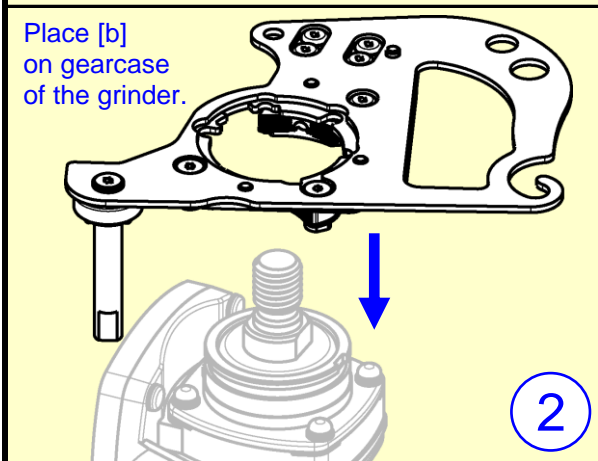
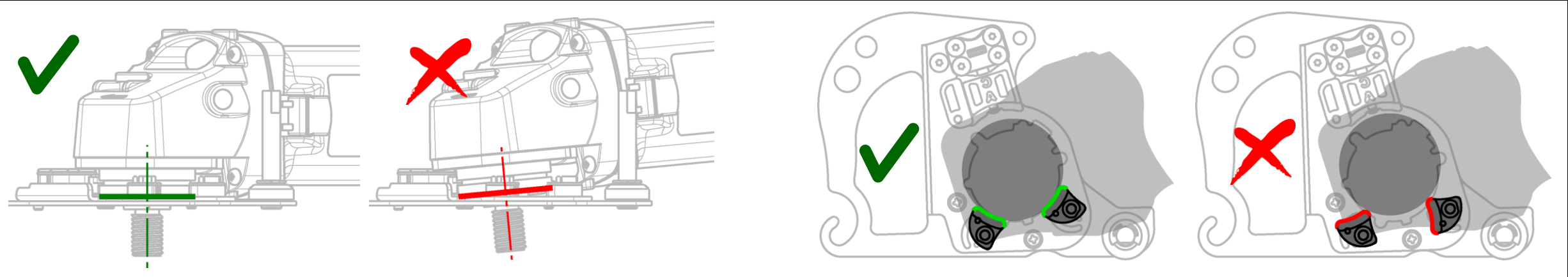
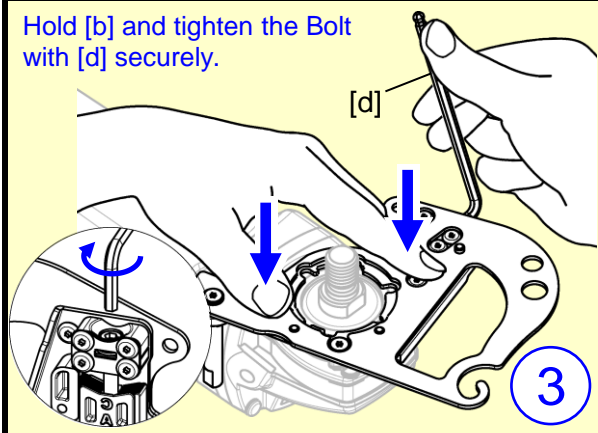
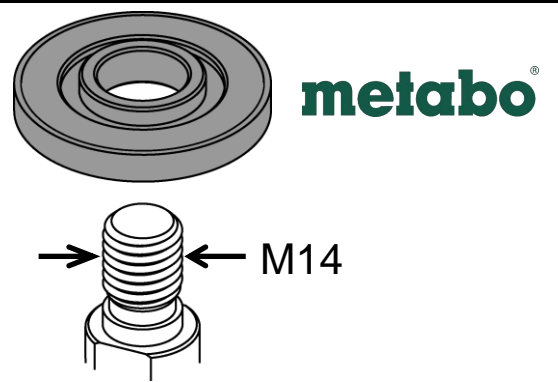
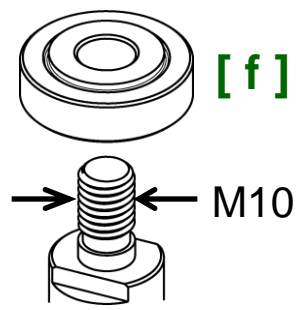
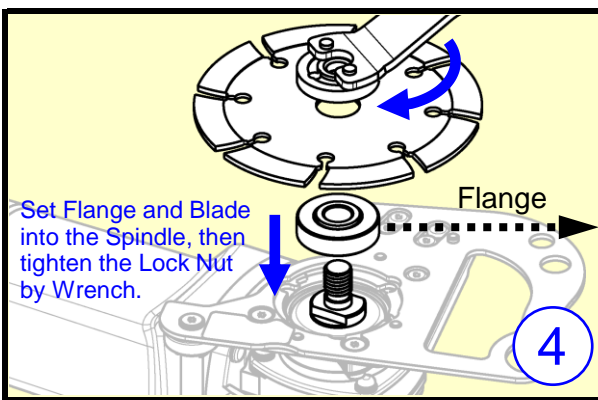


Milwaukee

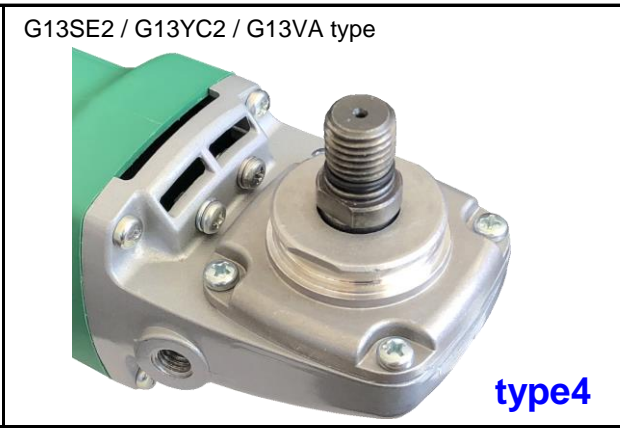
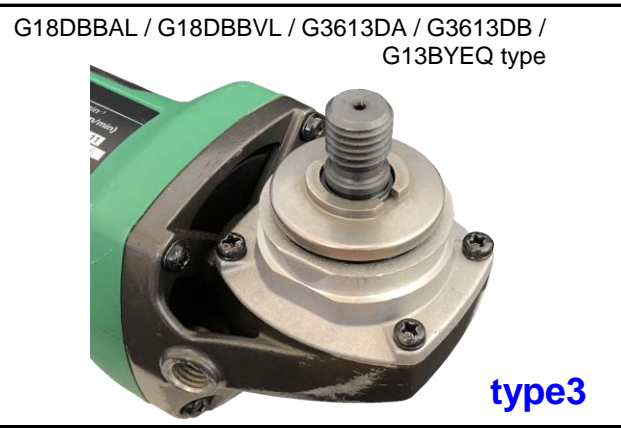
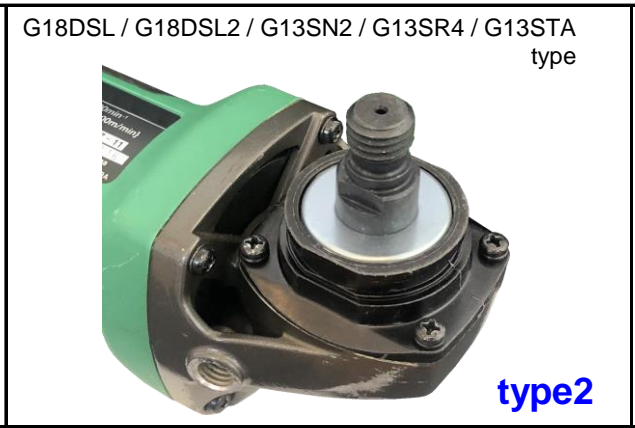
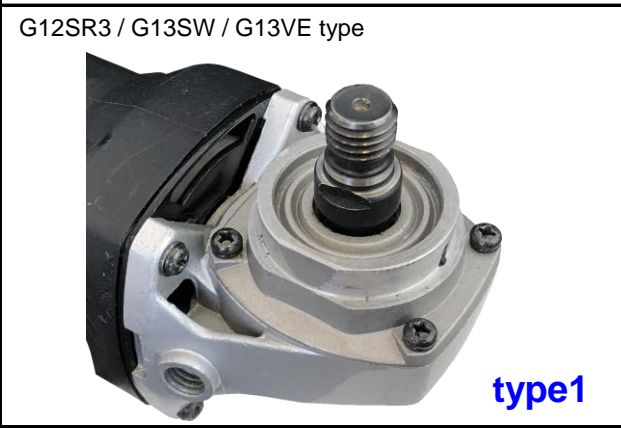
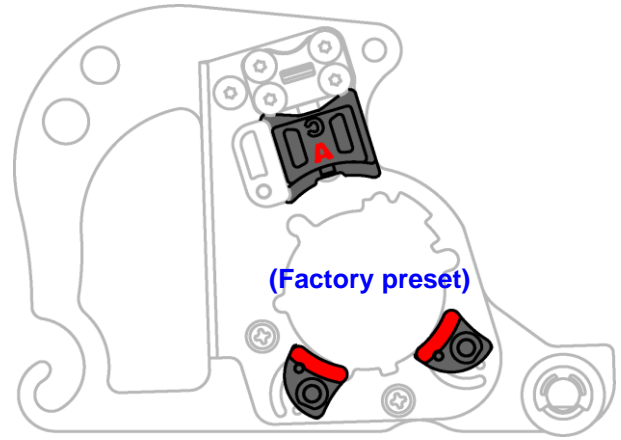
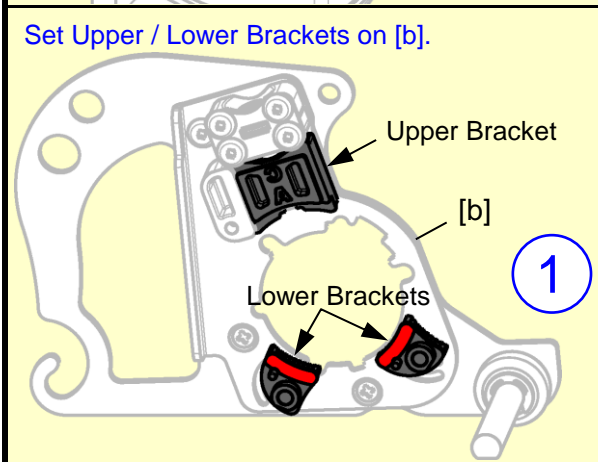
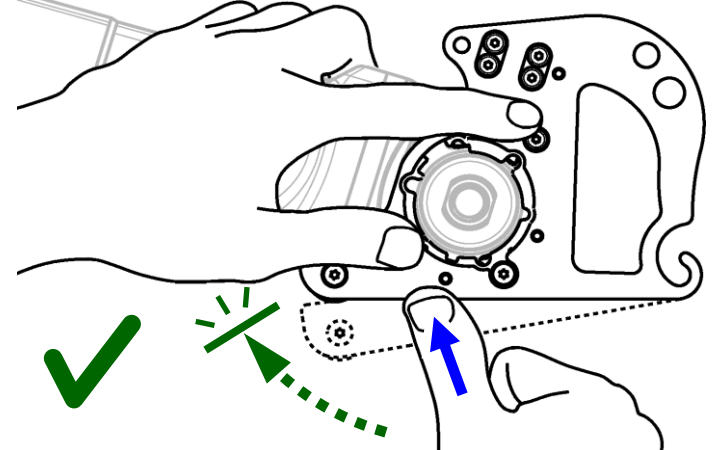
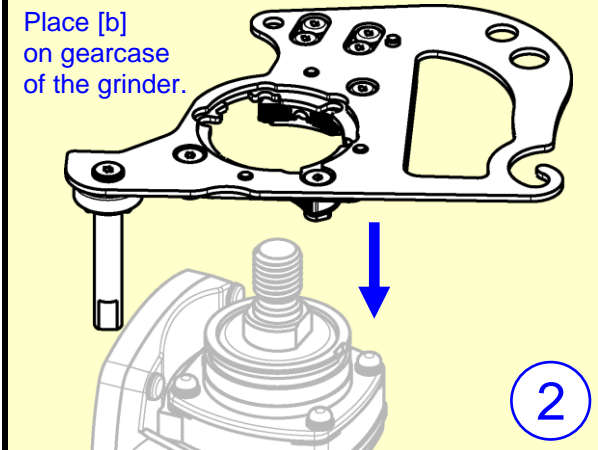
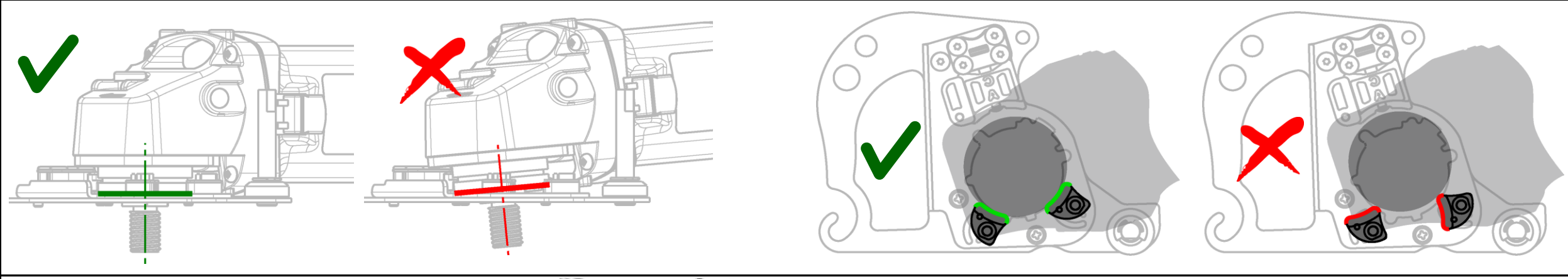
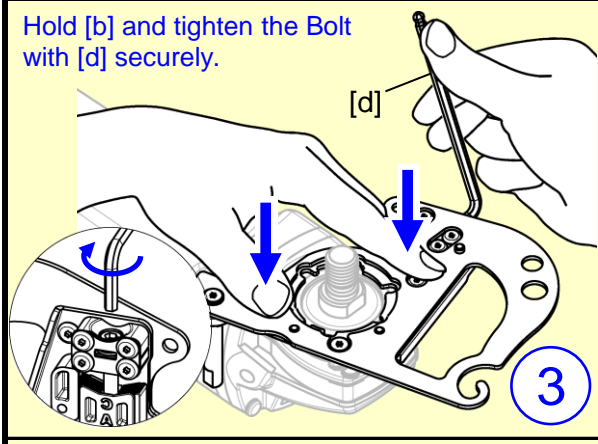
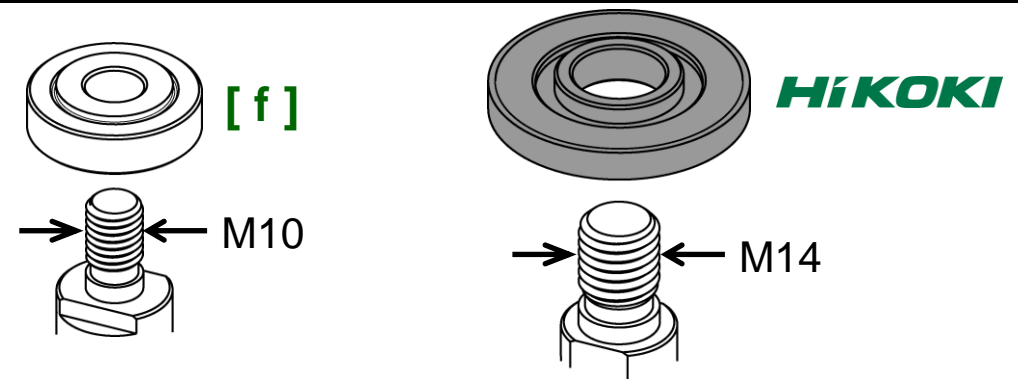
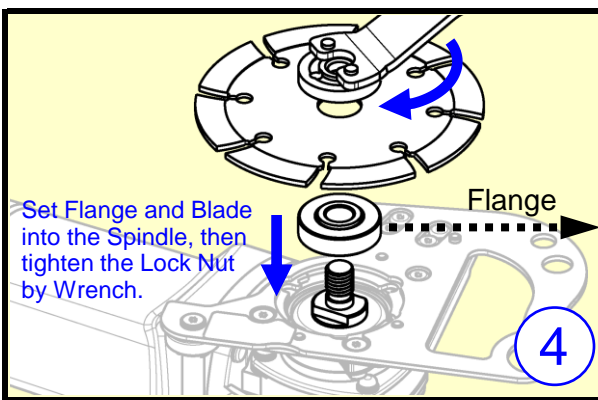
AGV10-125EK, AG10-125EK, AG800-125EK type can't be fitted.

※Based on the web information as of 2022 Sep.





※Based on the web information as of 2022 Sep.



Please scan the QR code to check the compatibility.

