

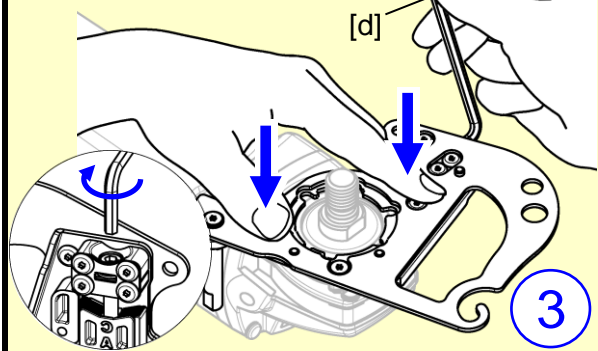
Makita



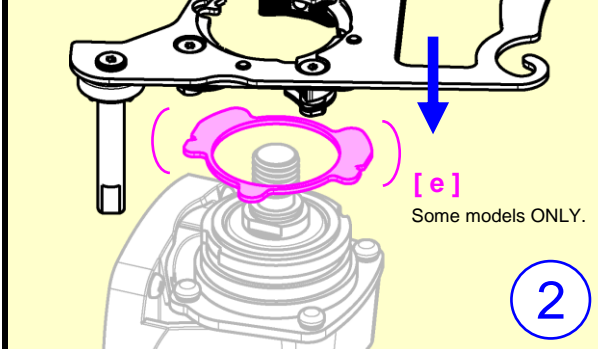
Set [h] / [i] / [k], [g] or Original Flange, and Blade into the Spindle. Then tighten the Lock Nut by Wrench.



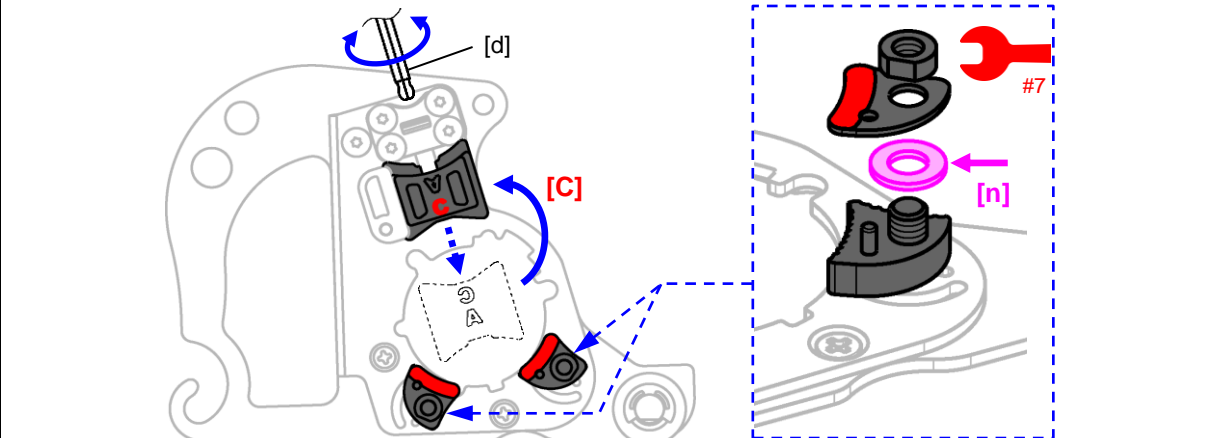
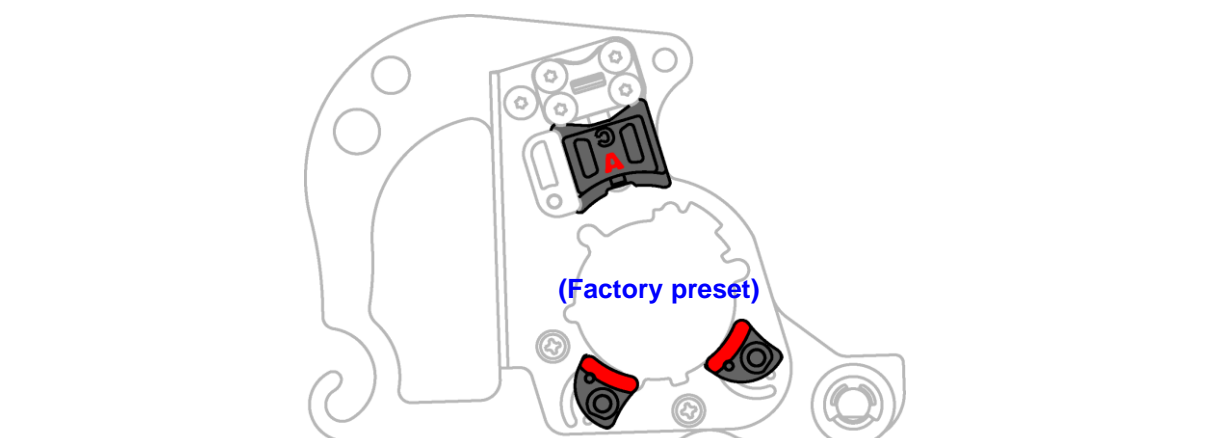
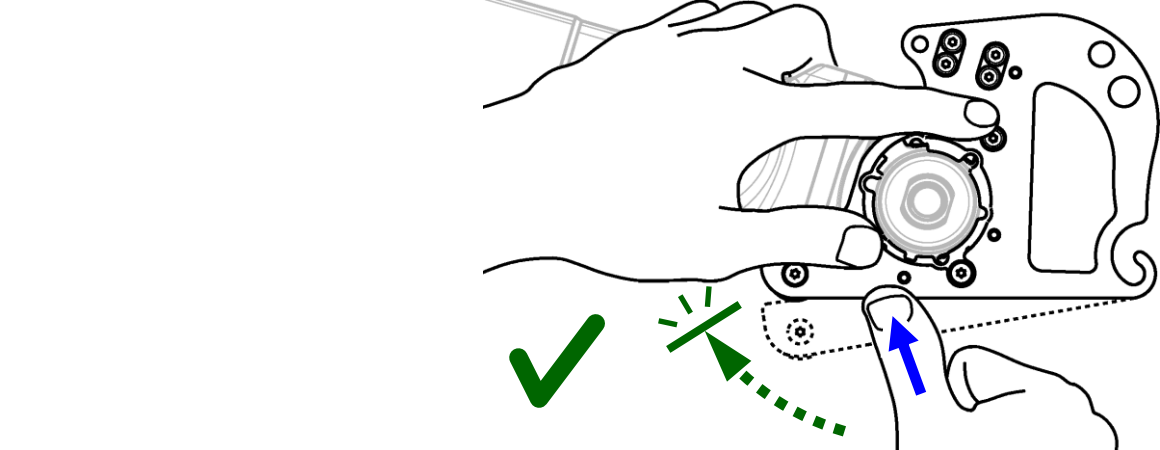
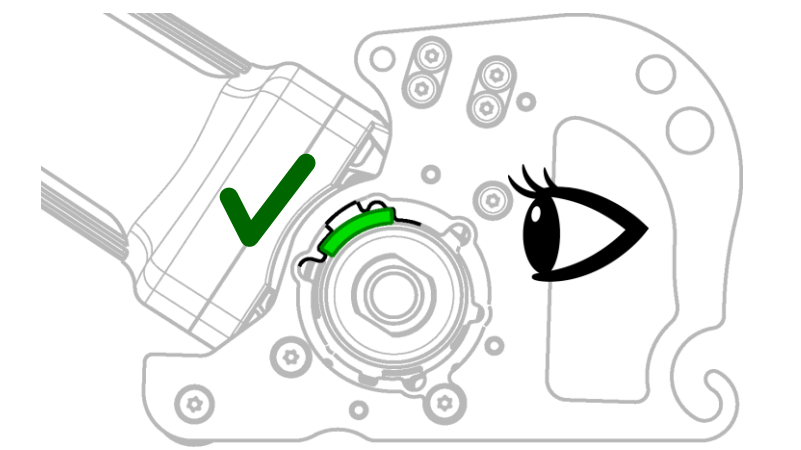
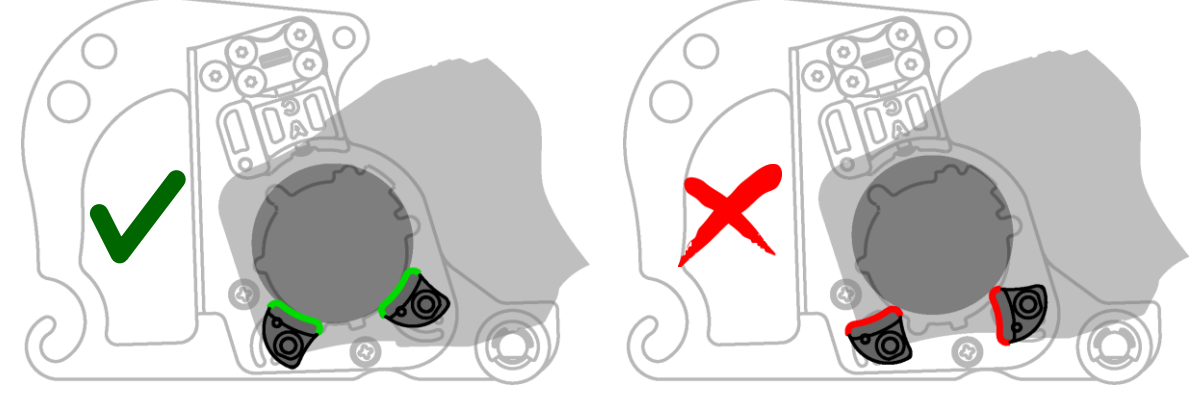
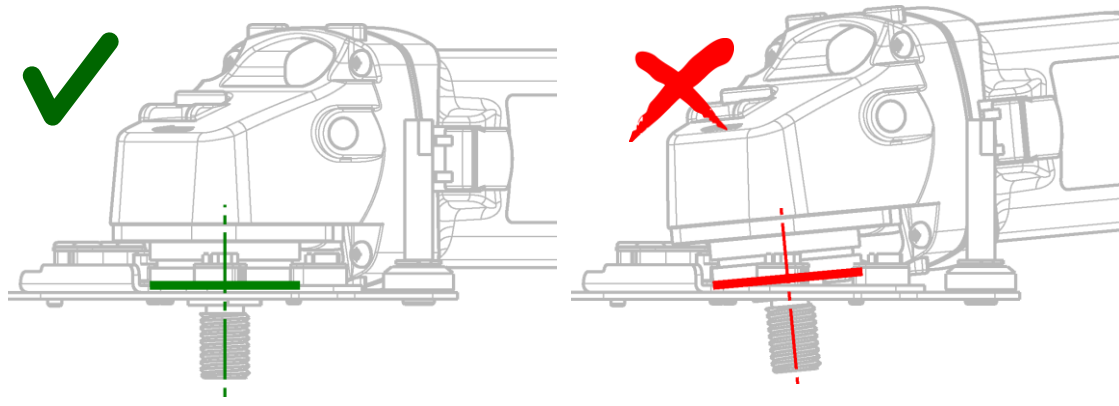
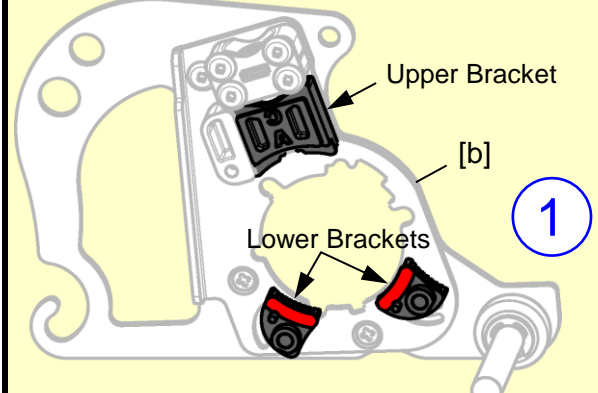
Hold [b] and tighten the Bolt with [d] securely.



Place [b] on gearcase of the grinder.



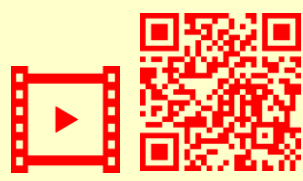
Set Upper / Lower Brackets on [b].



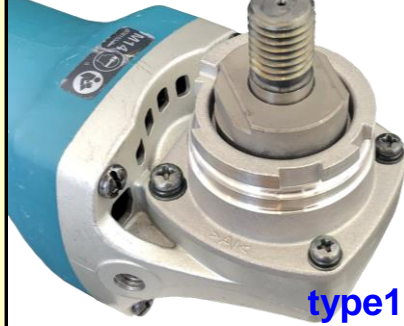
Makita

XLOCK model can't be fitted.

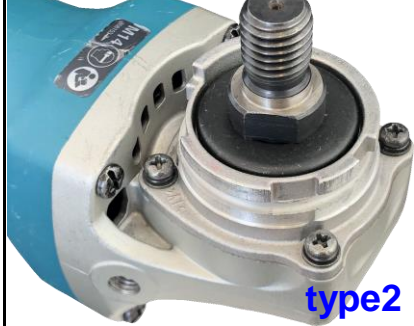
※Based on the web information as of 2022 Jan.



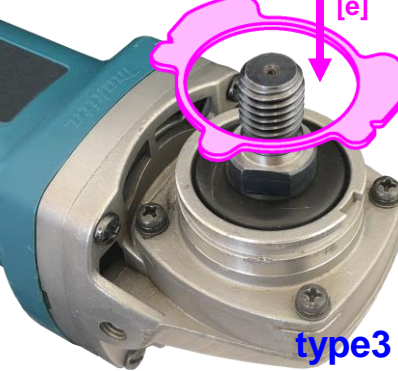
DGA456 / DGA463 / DGA467  
DGA506 / DGA513 / DGA517  
GA4541 / GA5041 type



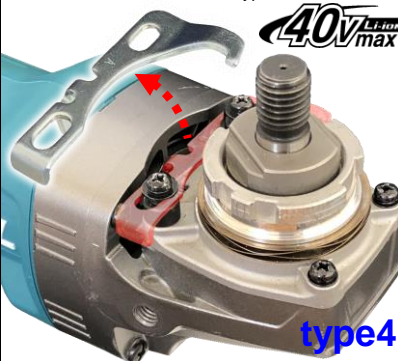
9565 / GA5021 / GA5030 / GA5040 / DGA511  
DGA515 / DGA504 / GA4530 / GA4534  
GA5034 / GA4540 / 9558NBR type



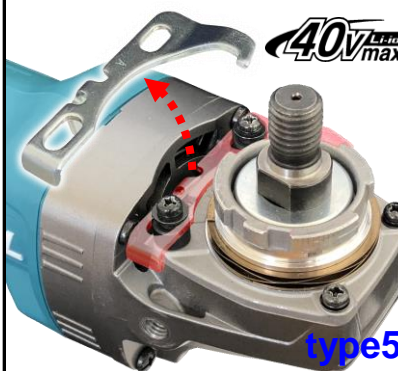
9558NB / DGA452 type



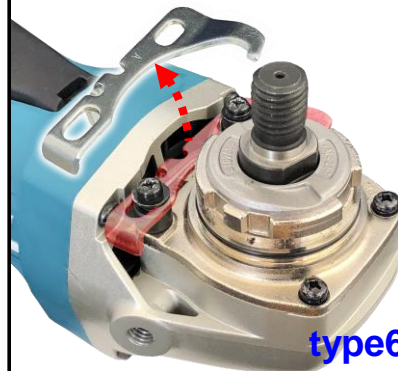
GA004 / GA005G / GA012 / GA013G  
GA022 / GA023G / GA028 type

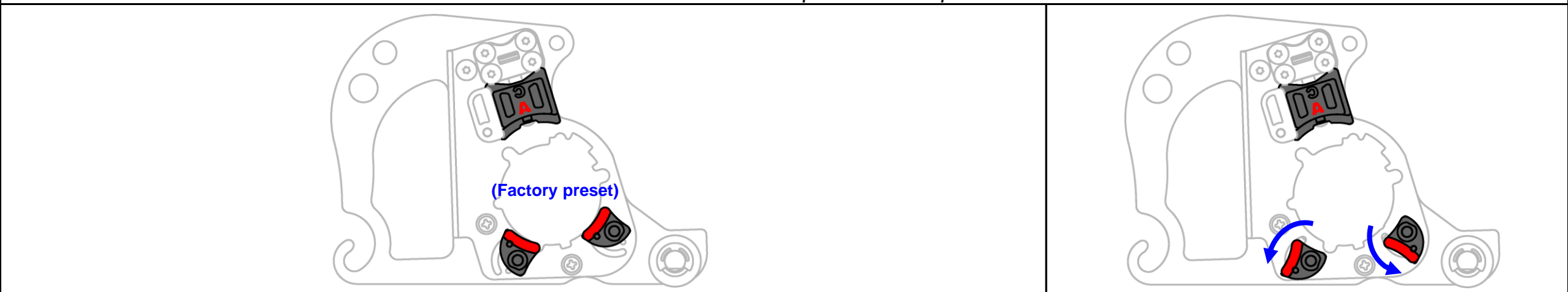
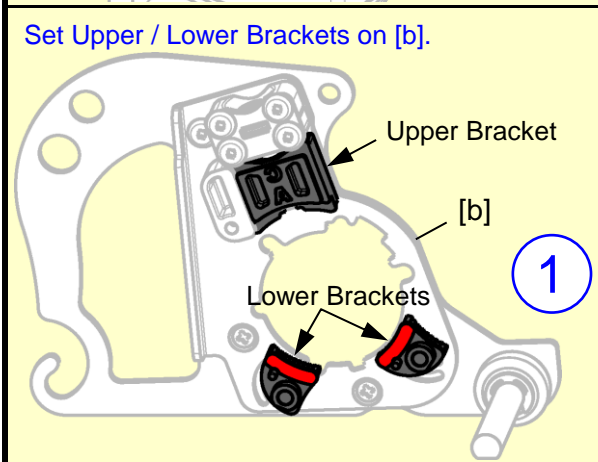
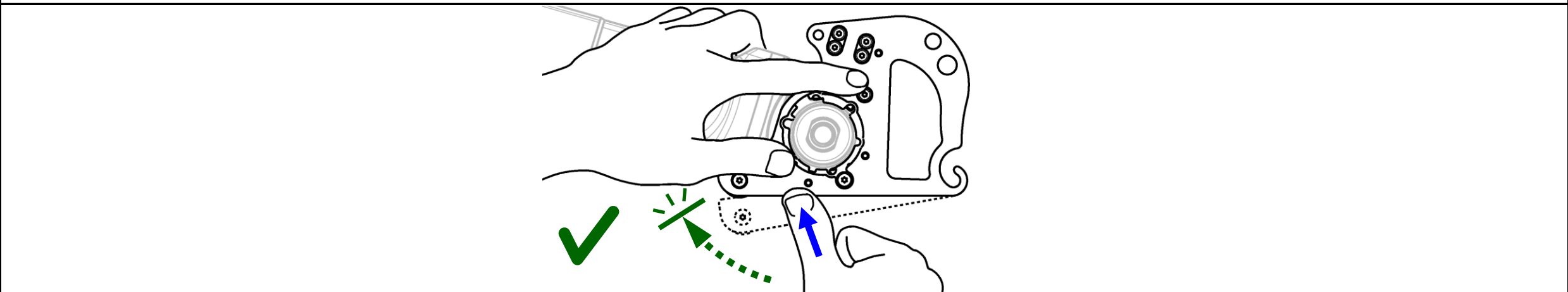
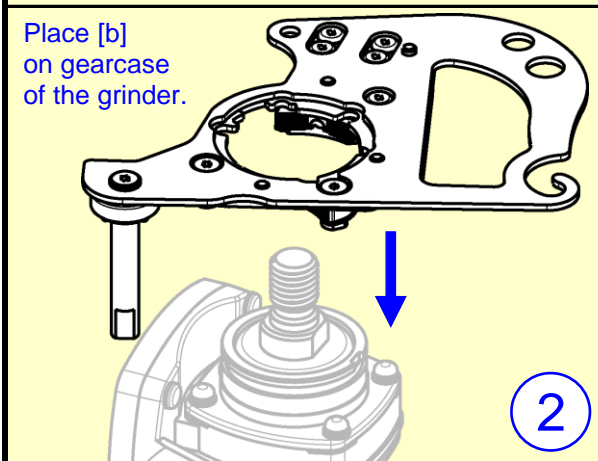
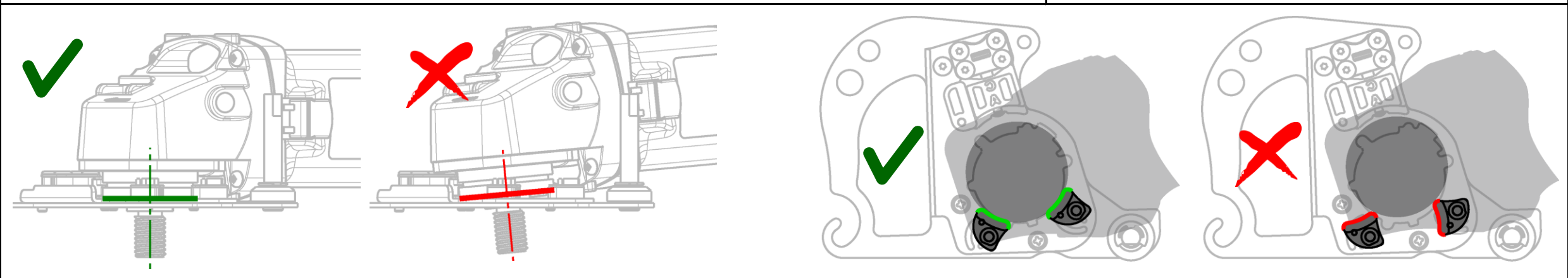
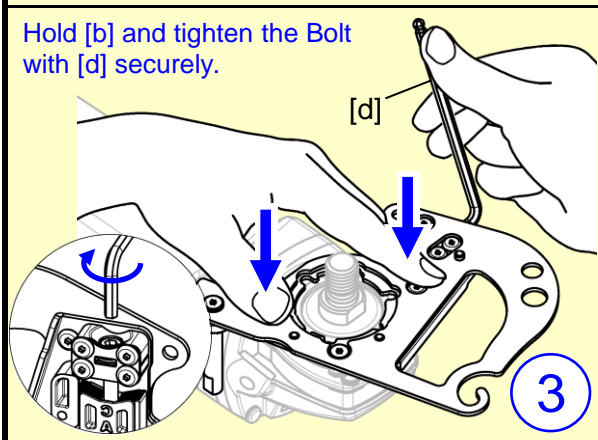
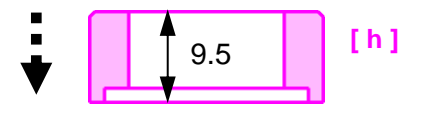
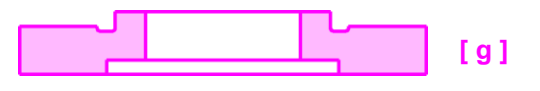
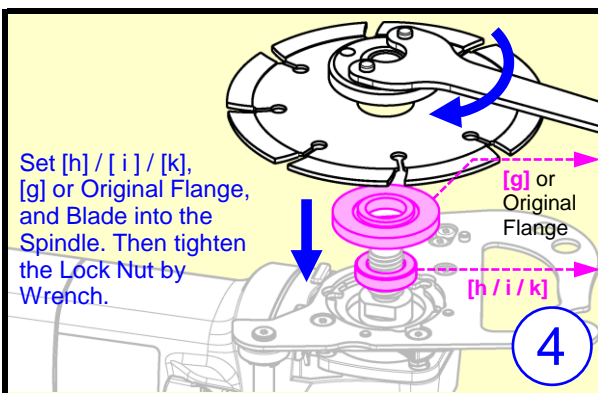


GA008G / GA016G type



GA5050R / GA4550 type

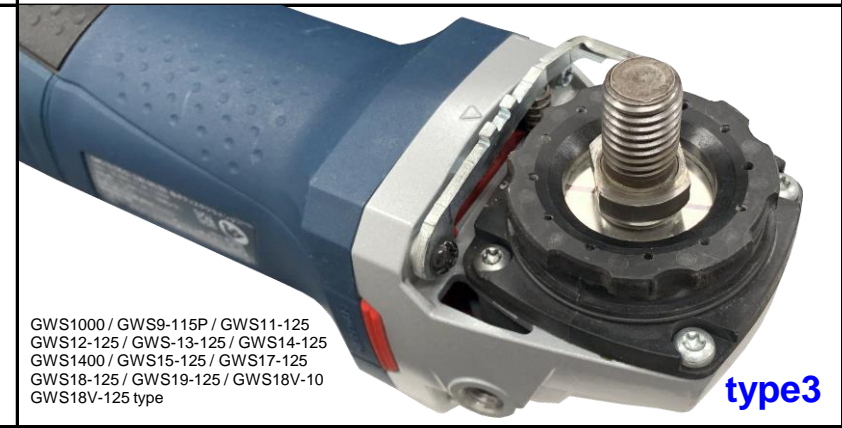
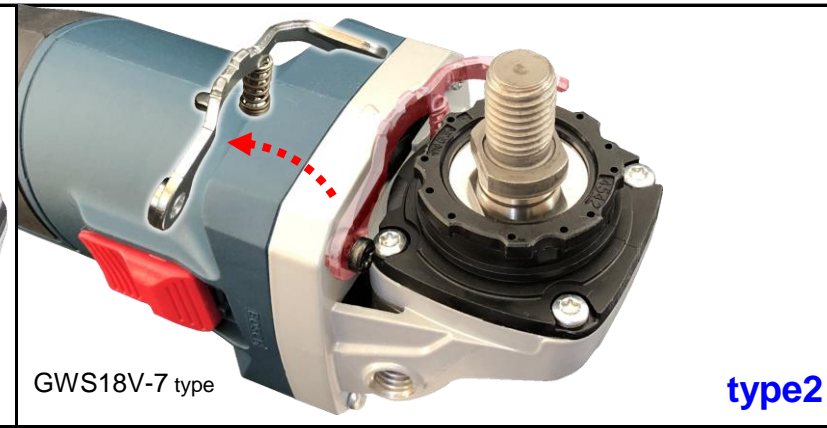


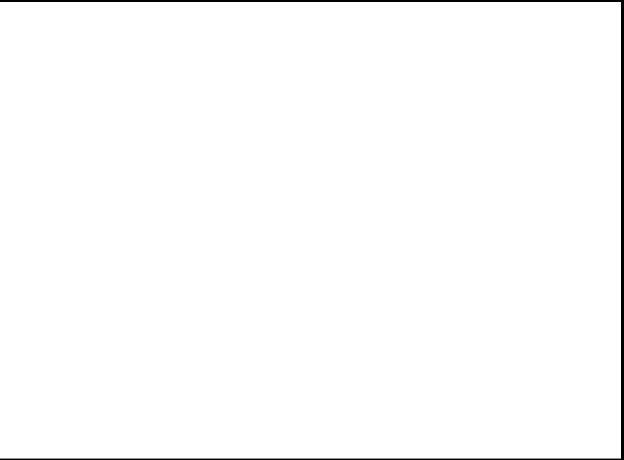
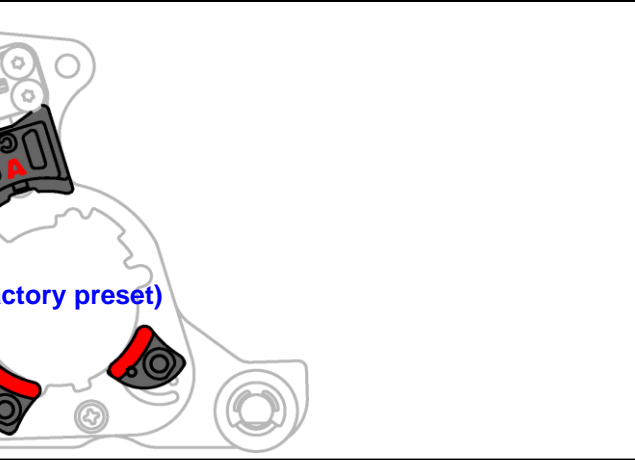
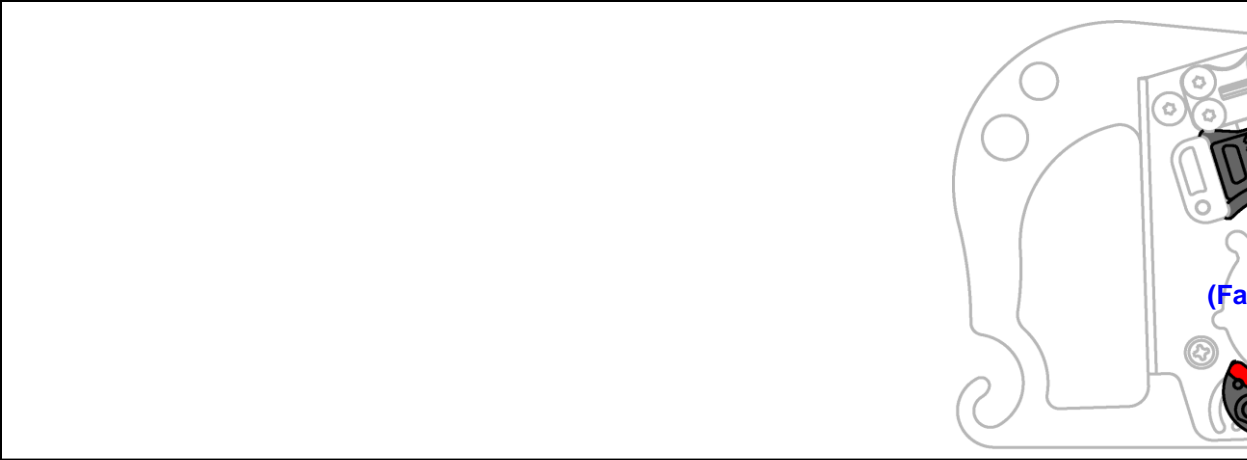
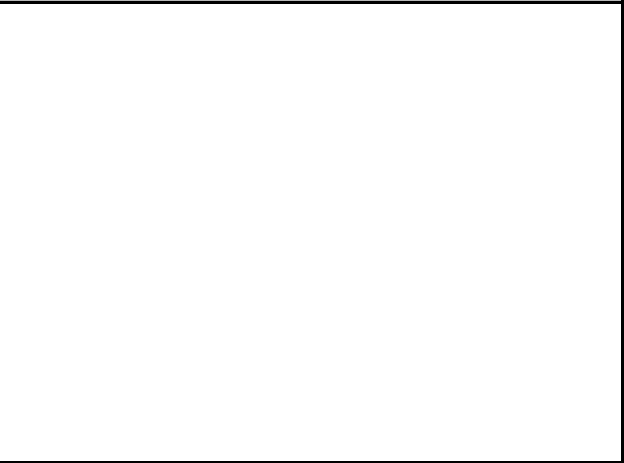
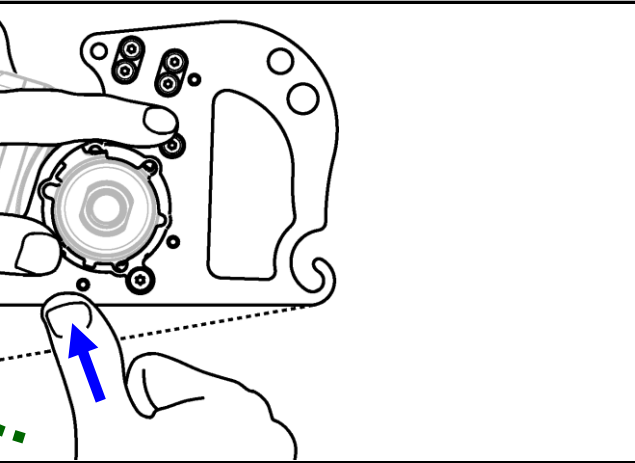
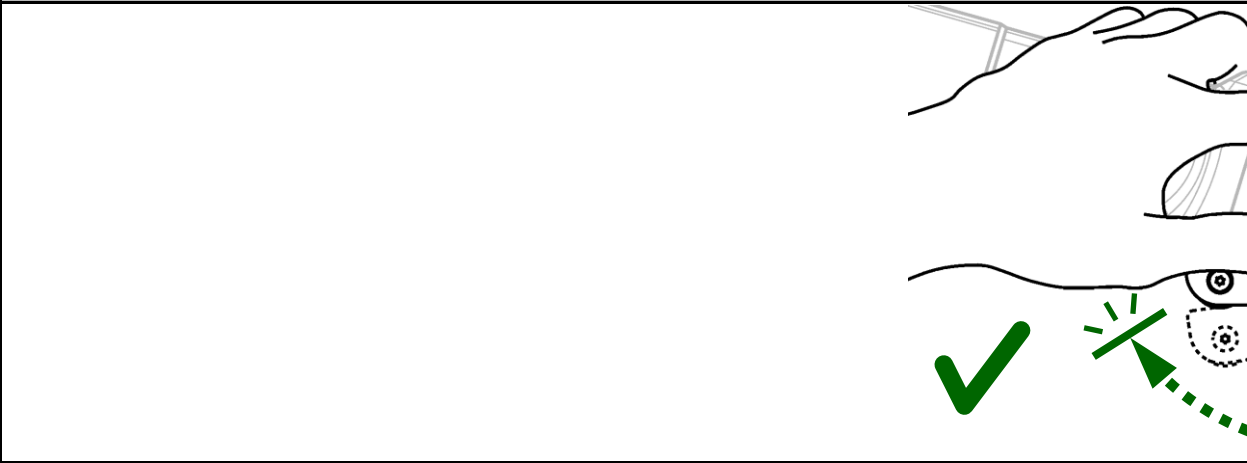
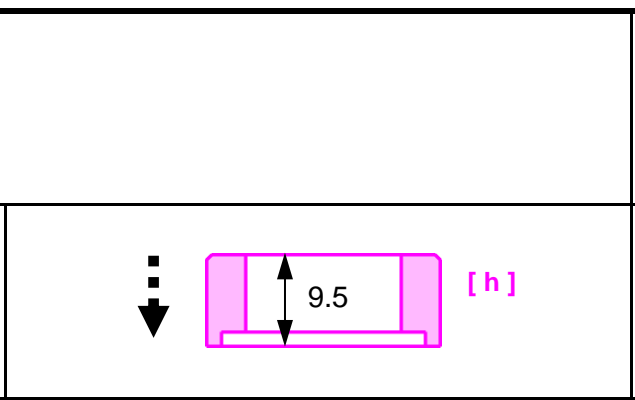
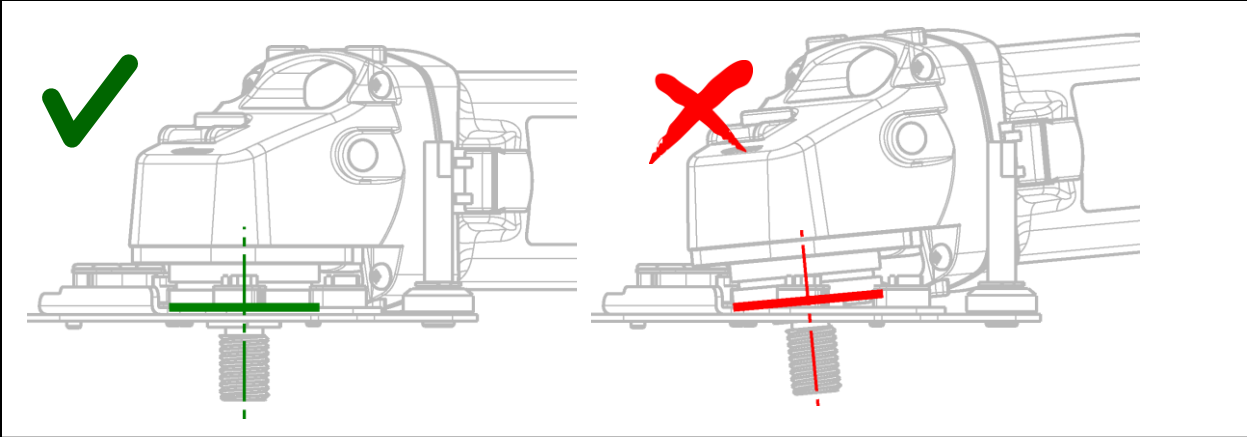
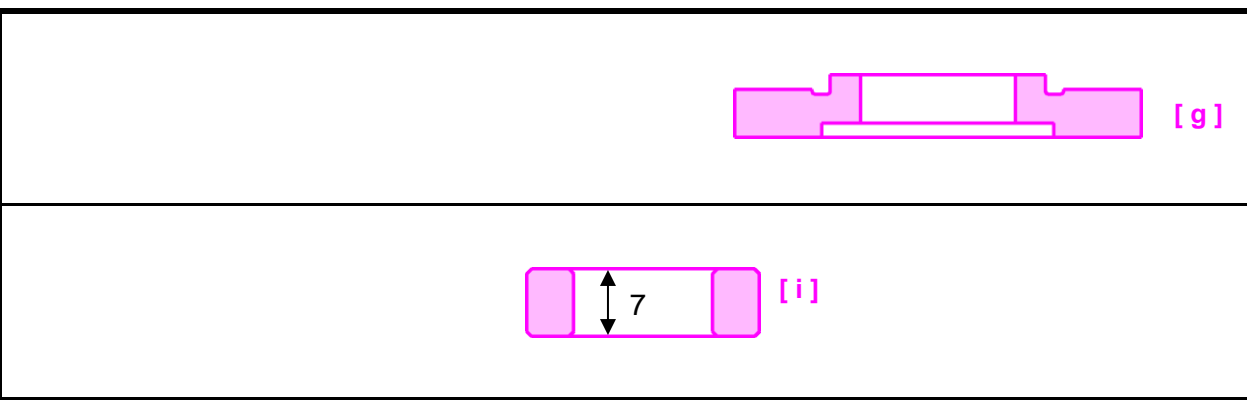
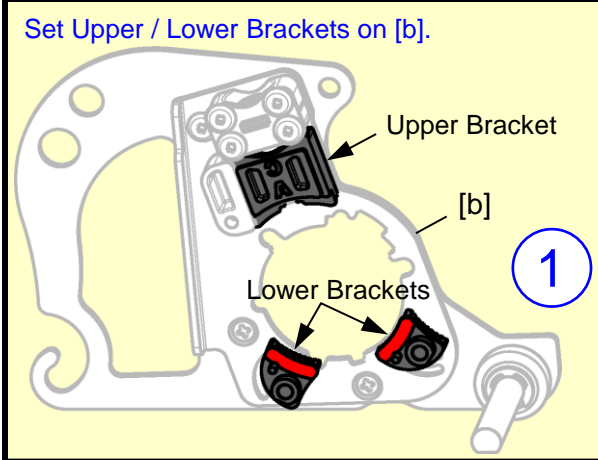
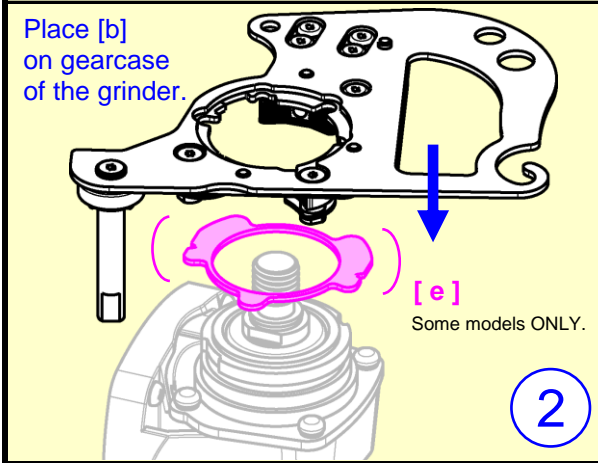
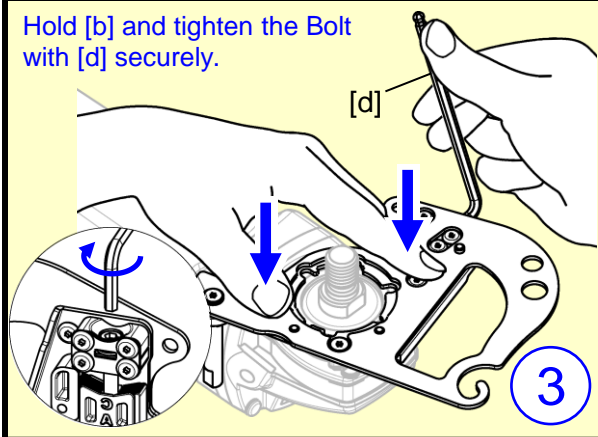
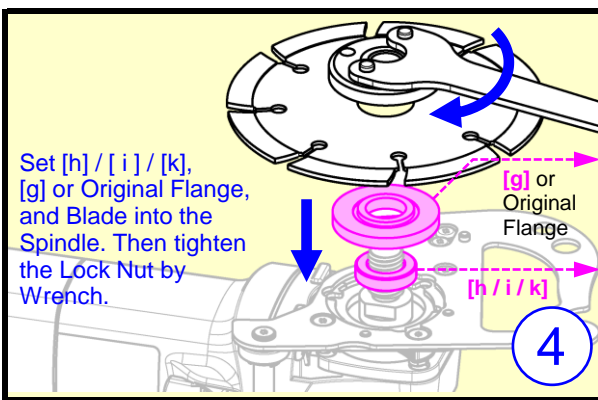


**BOSCH**

⚠ **XLOCK** model can't be fitted.

※Based on the web information as of 2022 Jan.

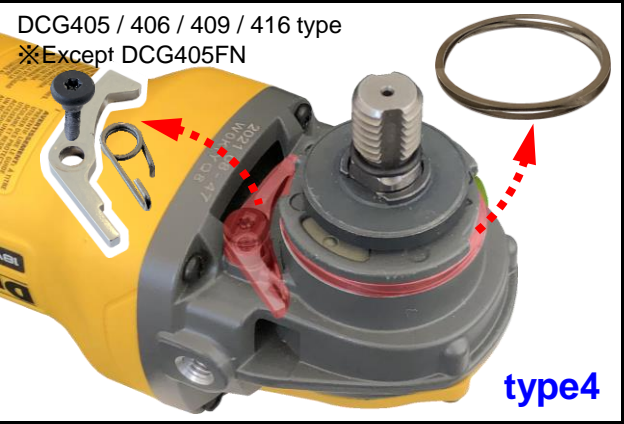
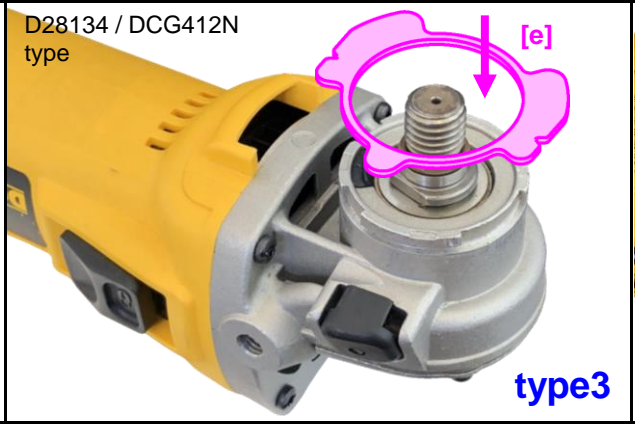
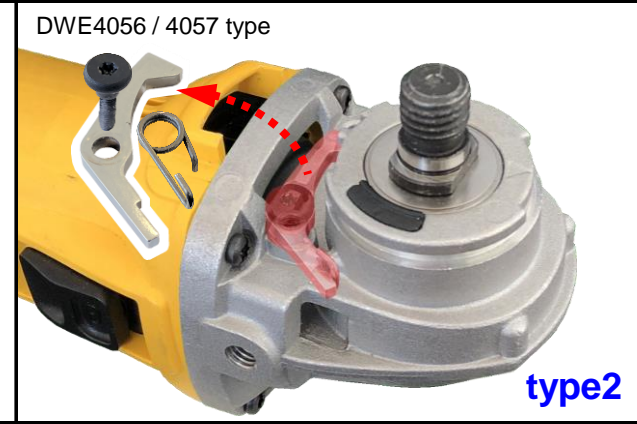
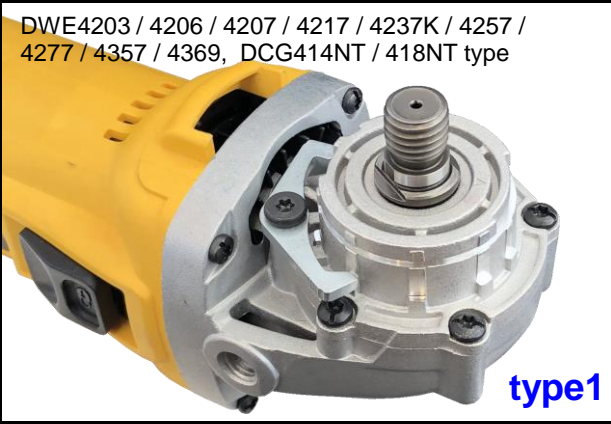


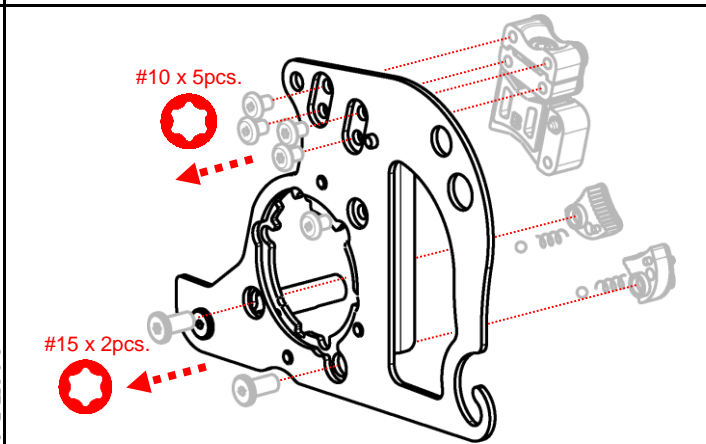
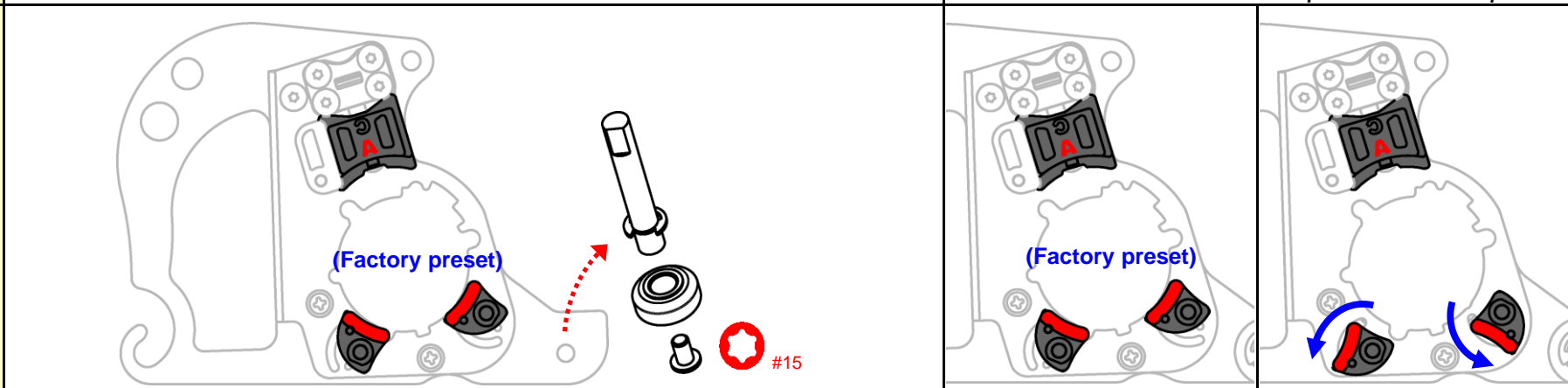
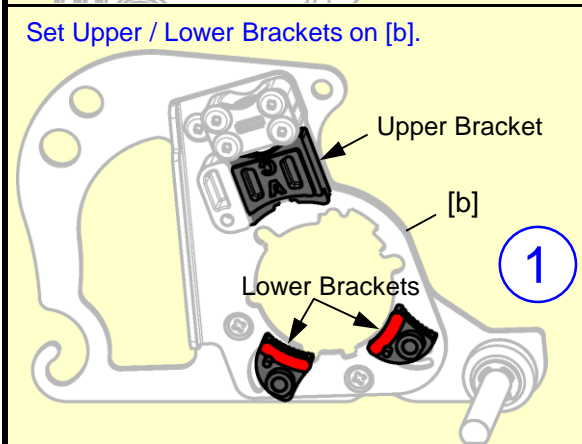
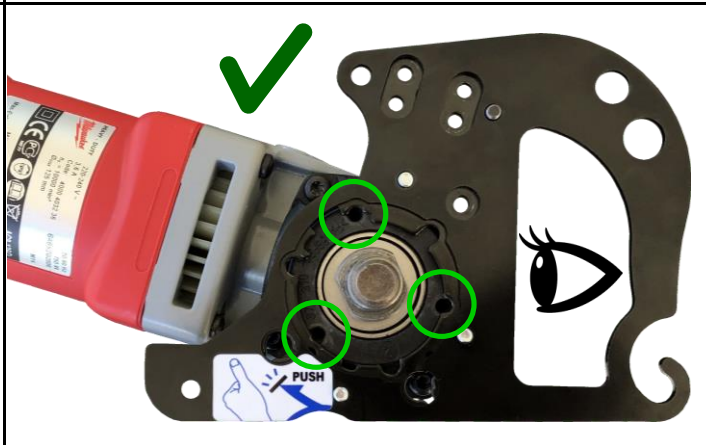
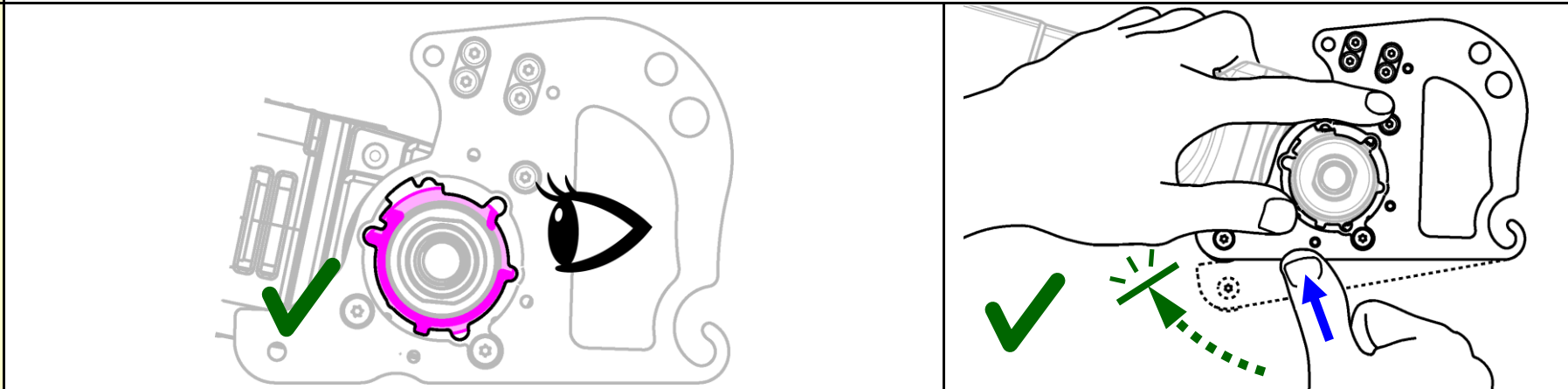
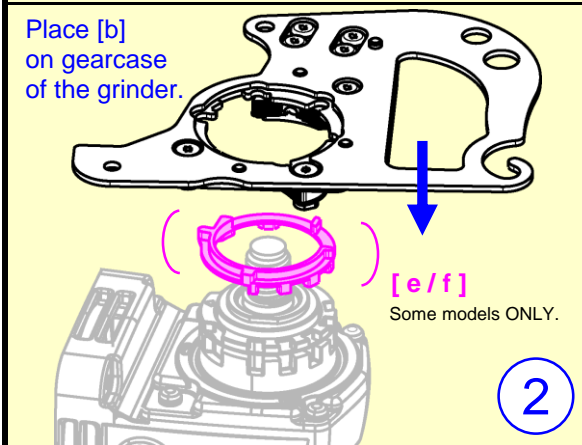
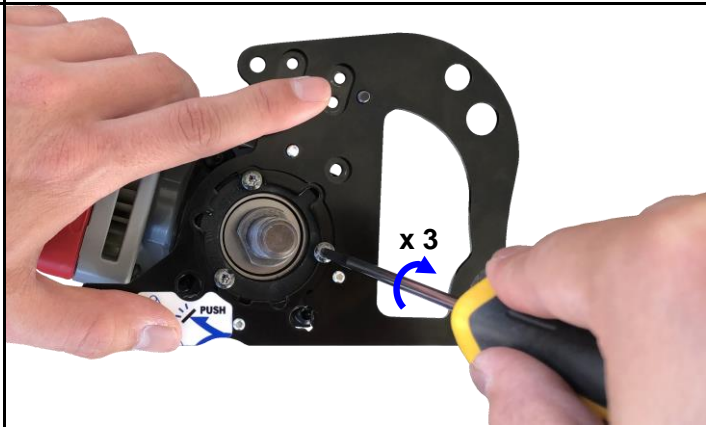
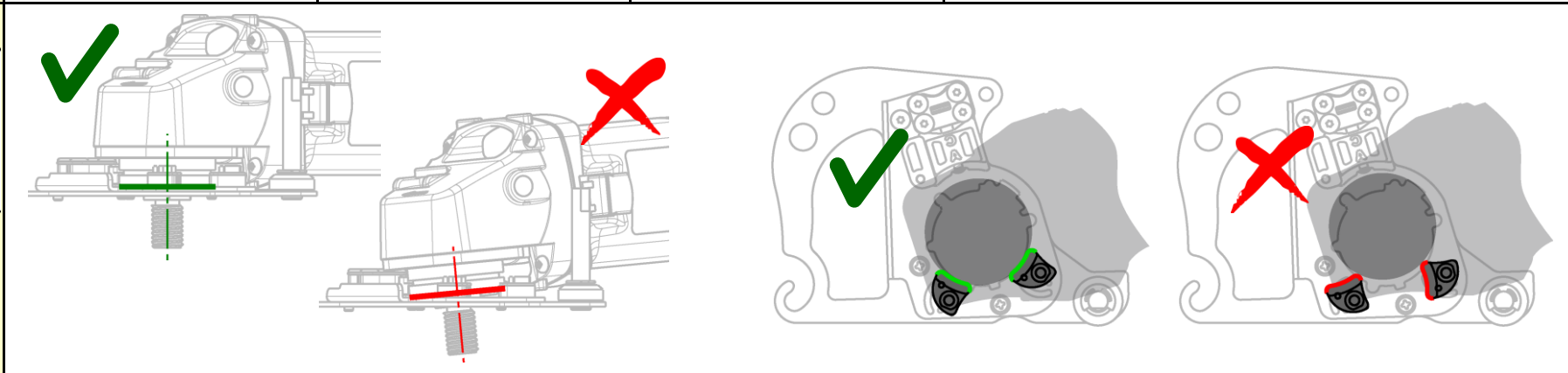
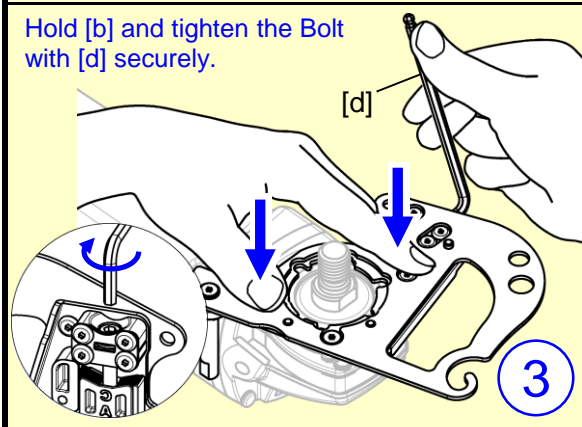
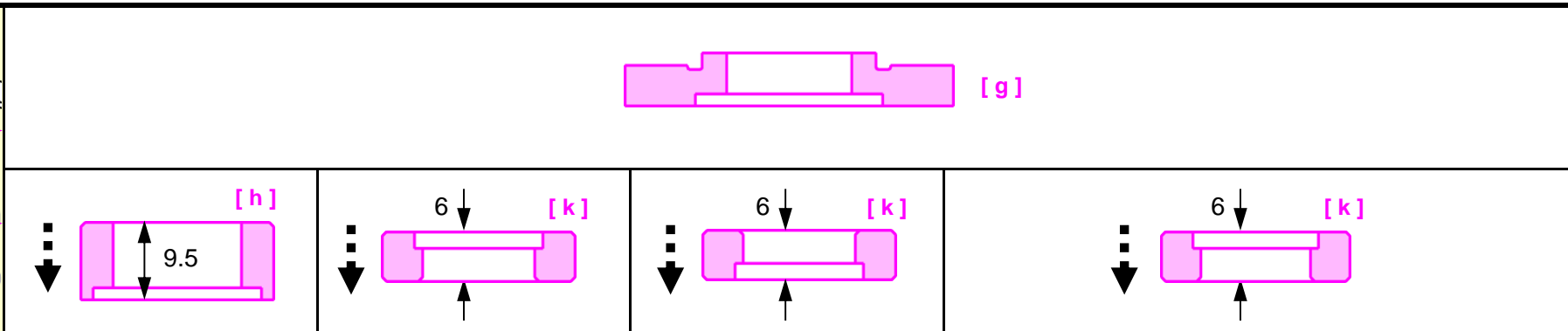
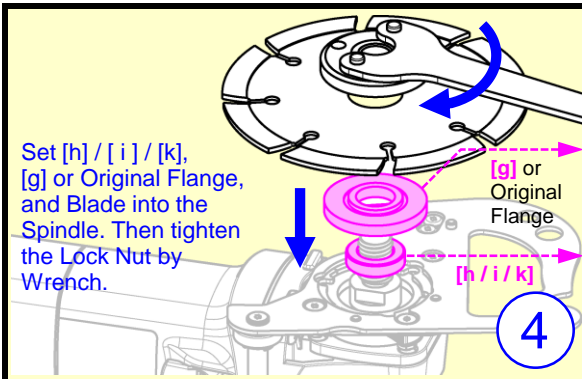


DEWALT

⚠ D28137 / DCG405FN can't be fitted.

※Based on the web information as of 2022 Jan.

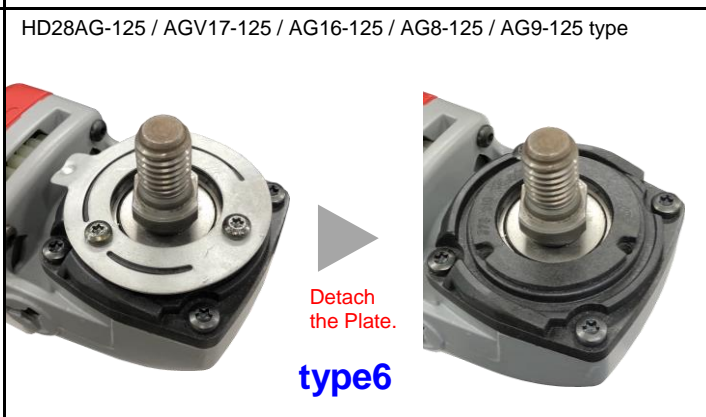
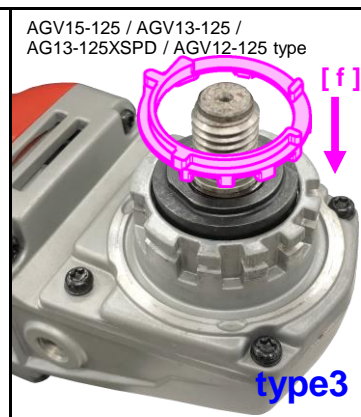
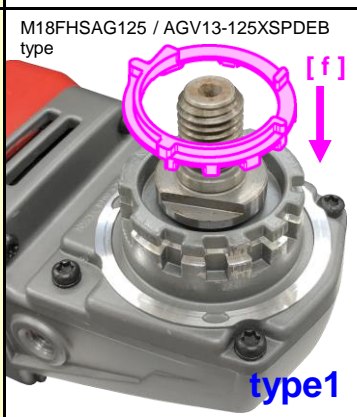




**Milwaukee**

⚠️ AGV10-125EK, AG10-125EK, AG800-125EK type can't be fitted.

※Based on the web information as of 2022 Jan.

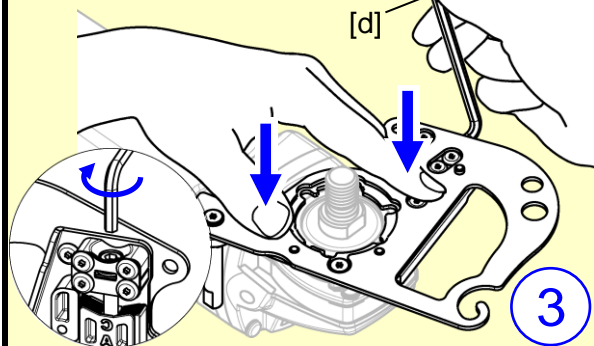




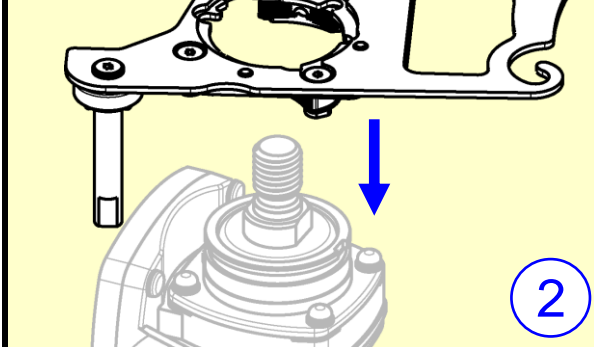
Set [h] / [i] / [k], [g] or Original Flange, and Blade into the Spindle. Then tighten the Lock Nut by Wrench.



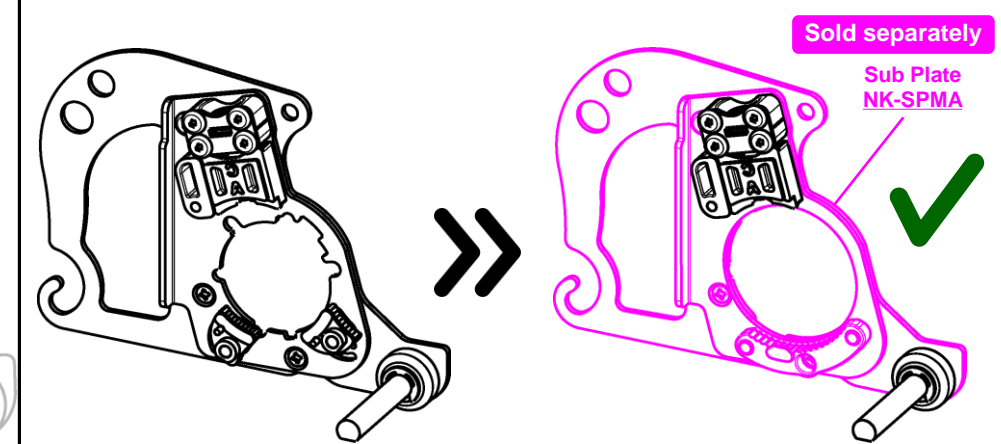
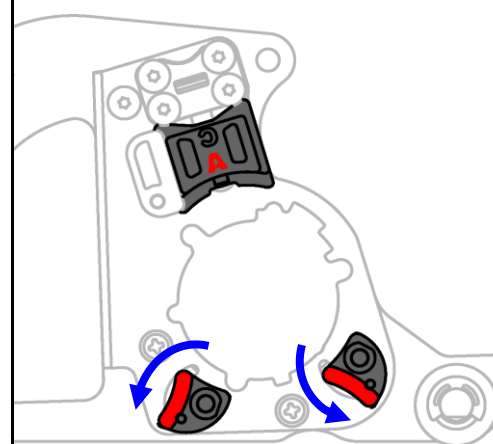
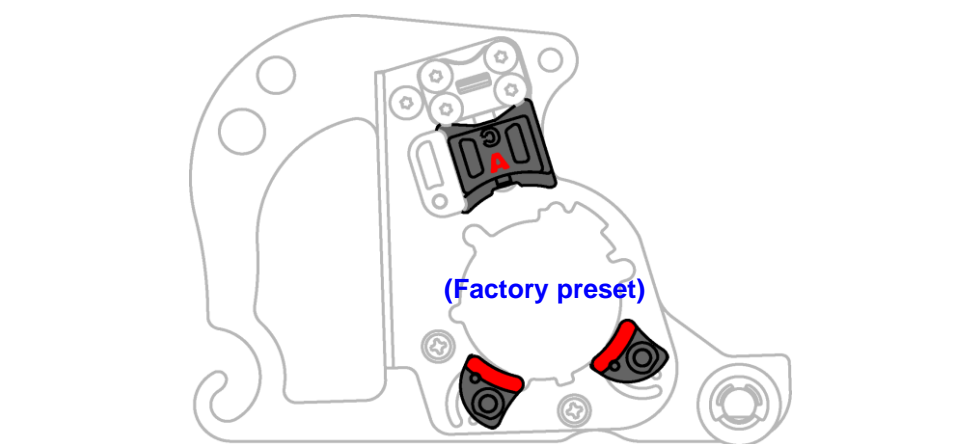
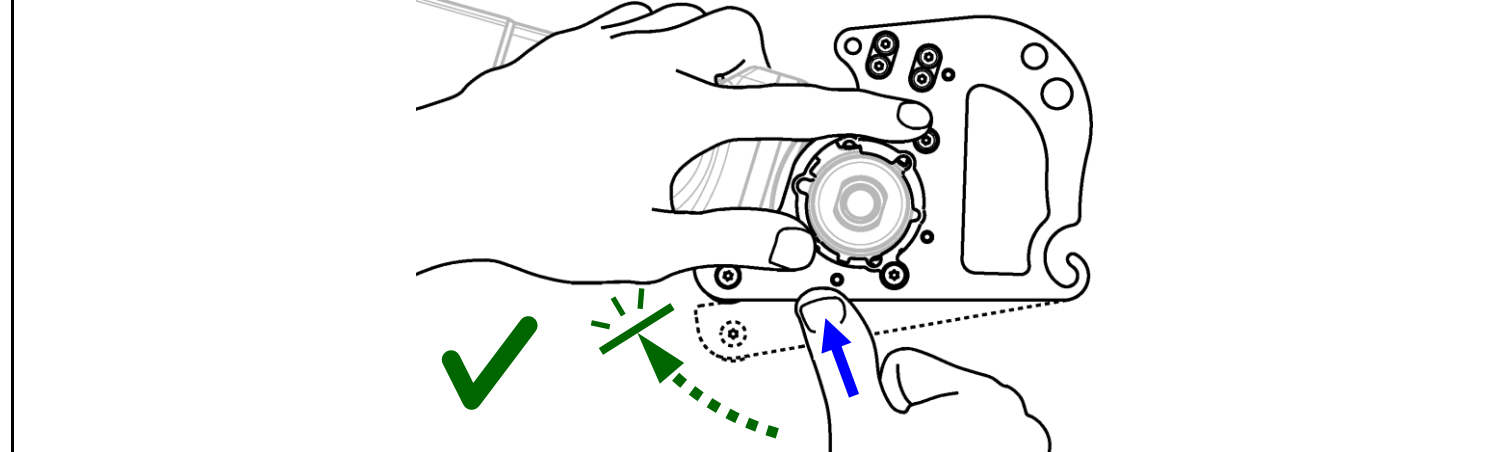
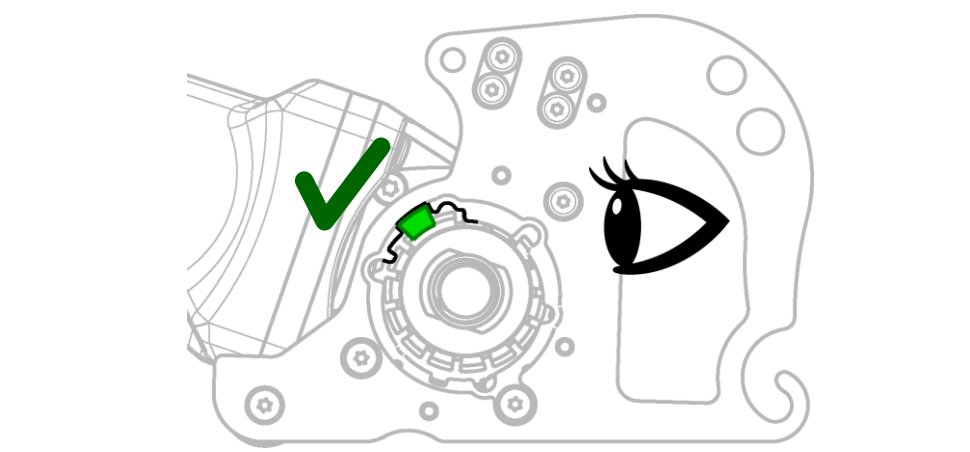
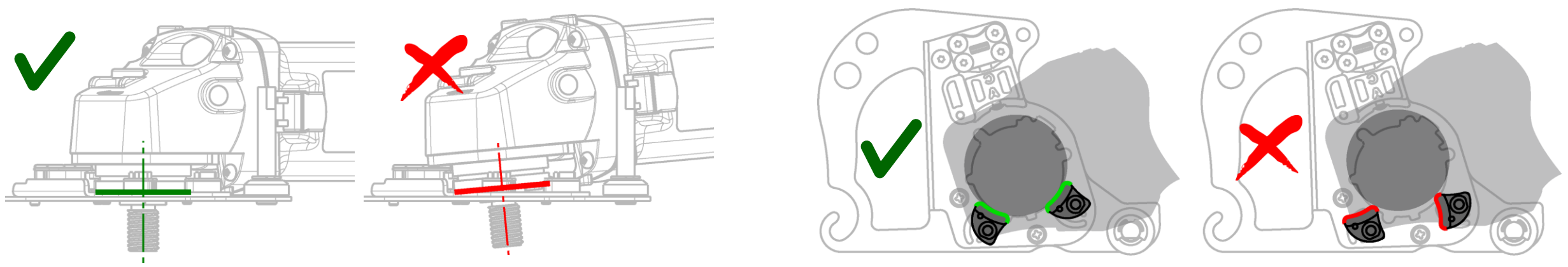
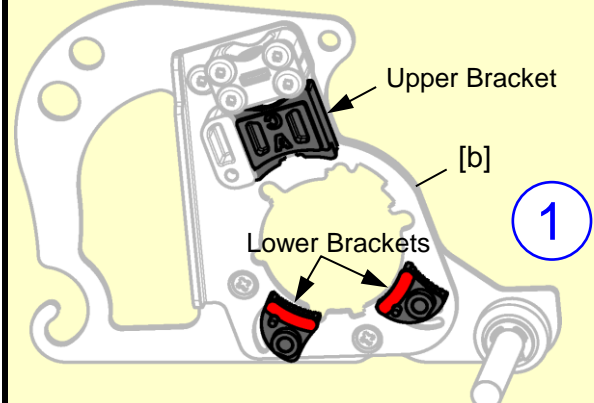
Hold [b] and tighten the Bolt with [d] securely.



Place [b] on gearcase of the grinder.

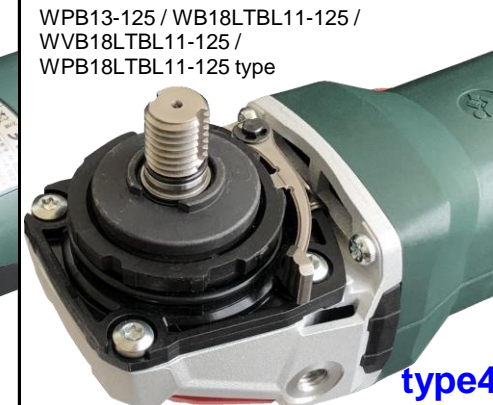
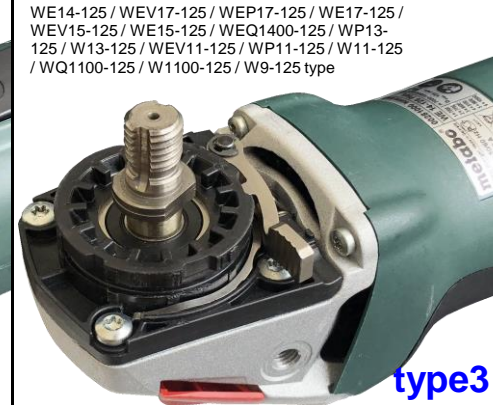
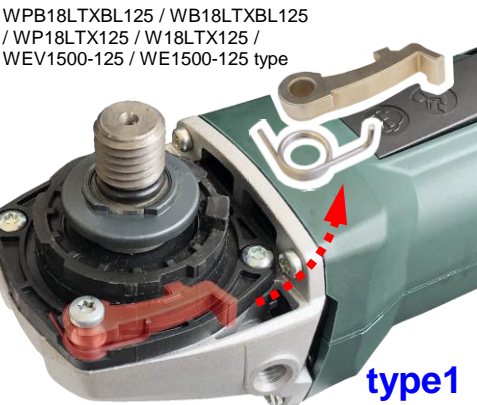


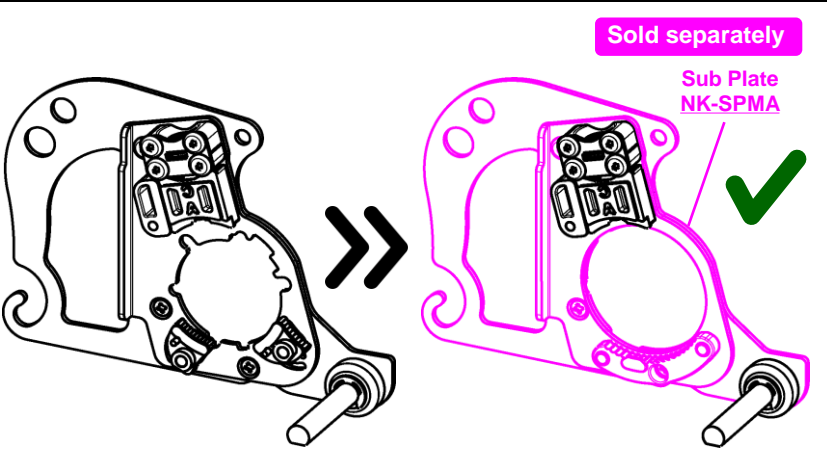
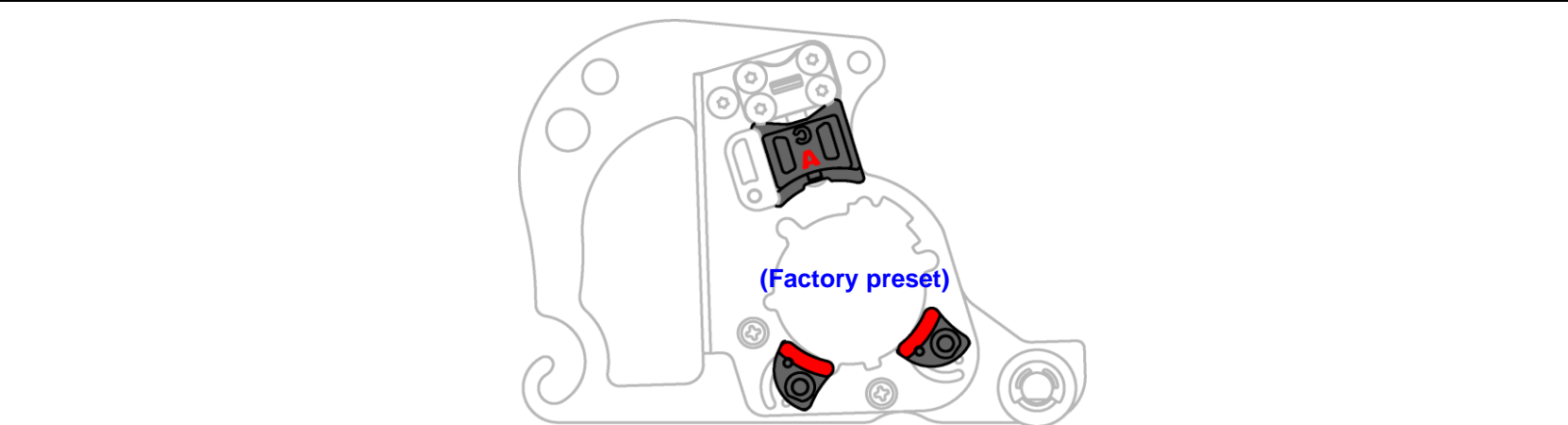
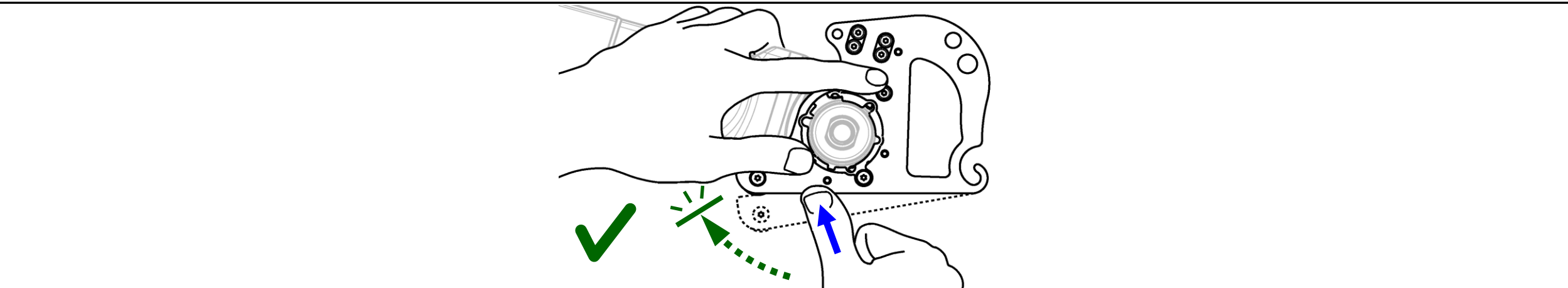
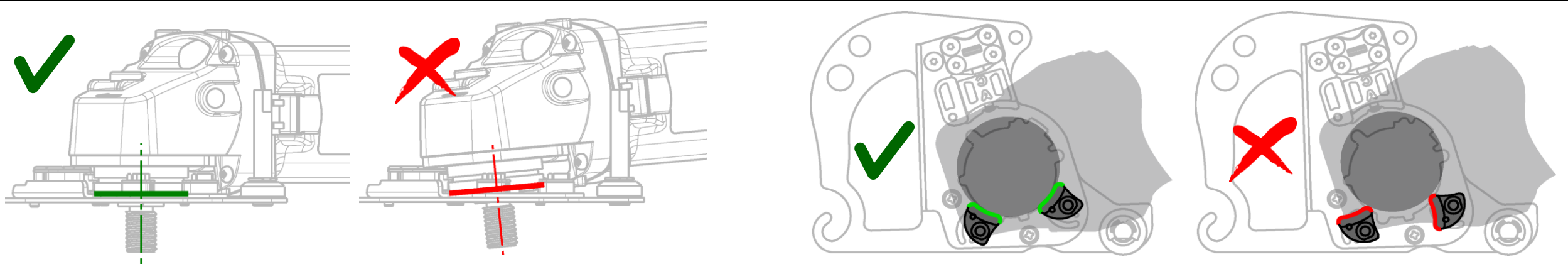
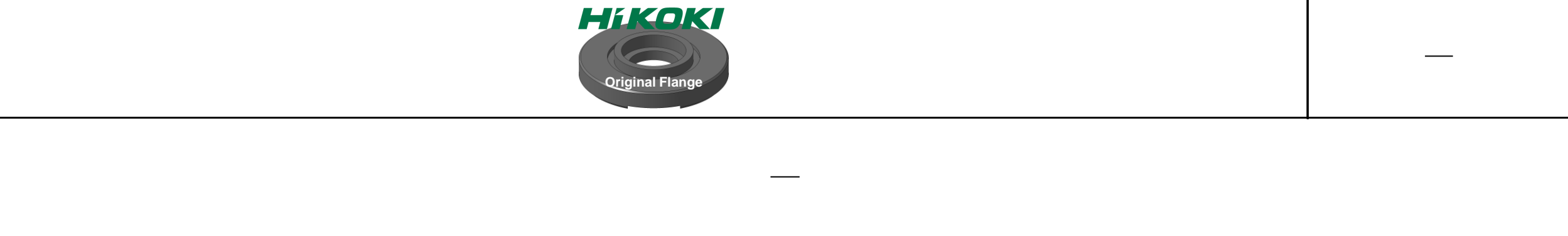
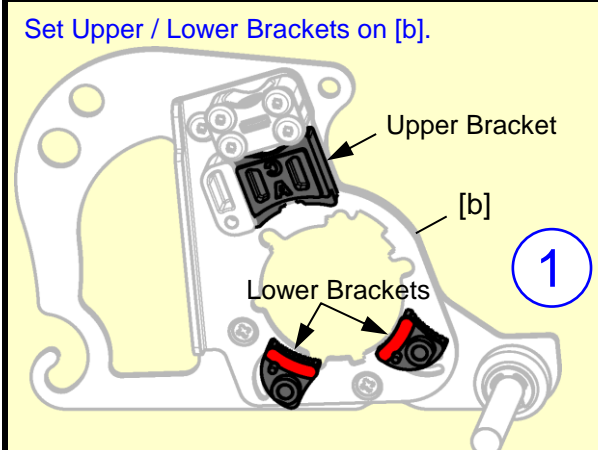
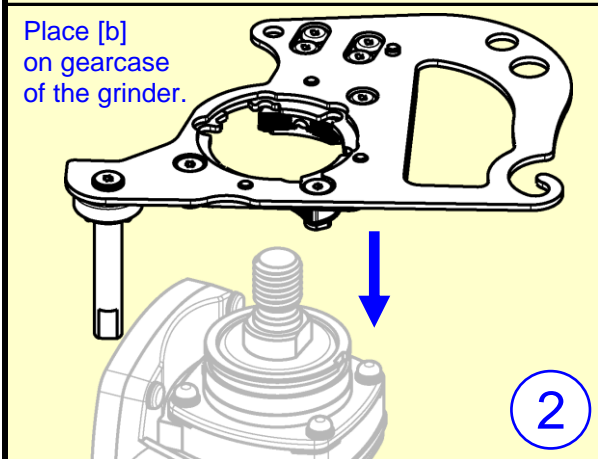
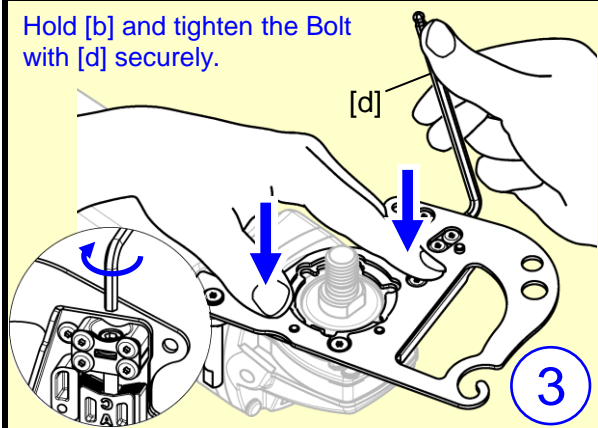
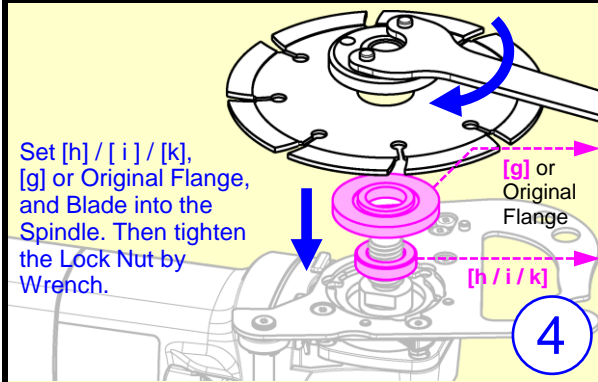
Set Upper / Lower Brackets on [b].



**metabo**

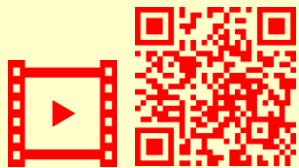
※Based on the web information as of 2022 Jan.

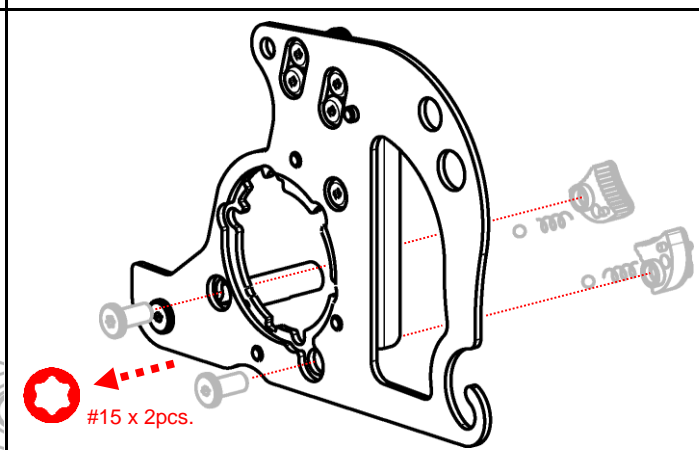
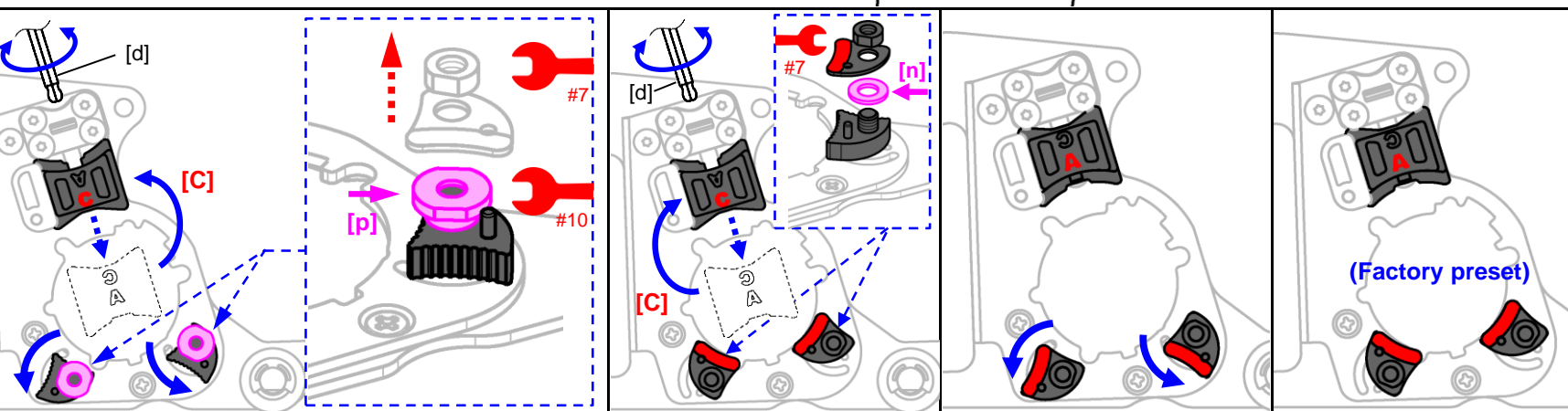
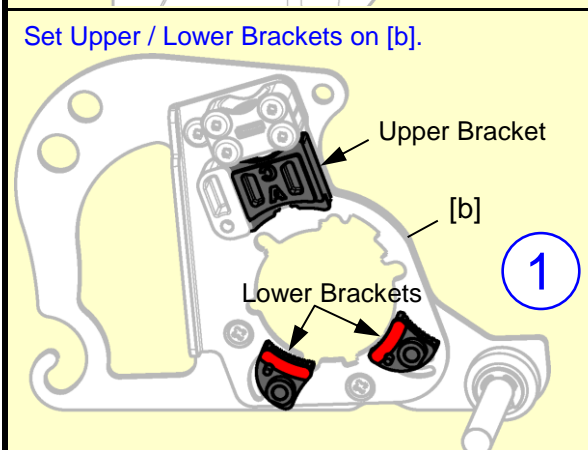
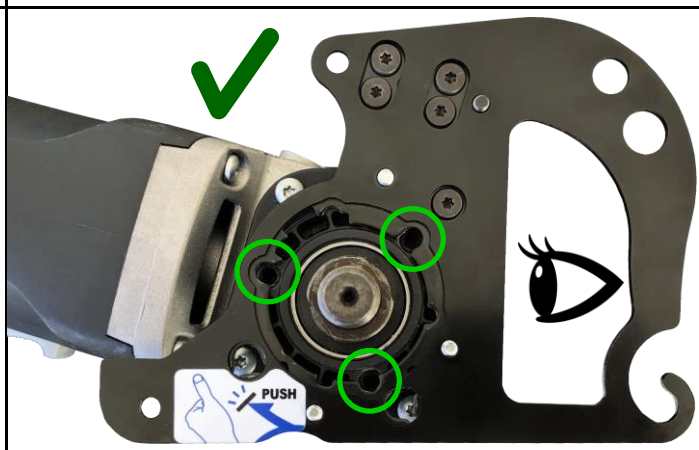
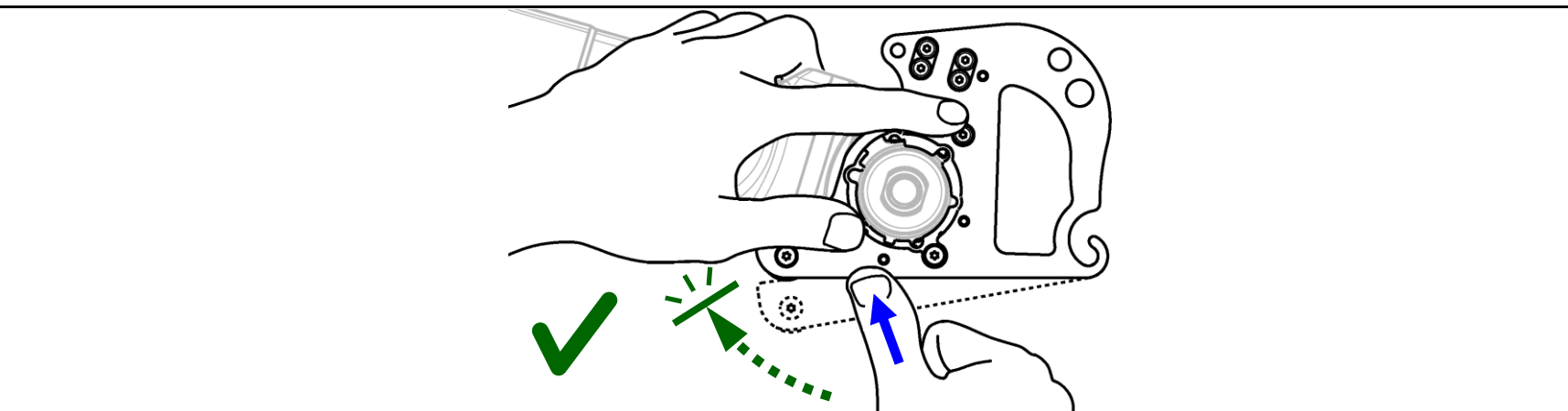
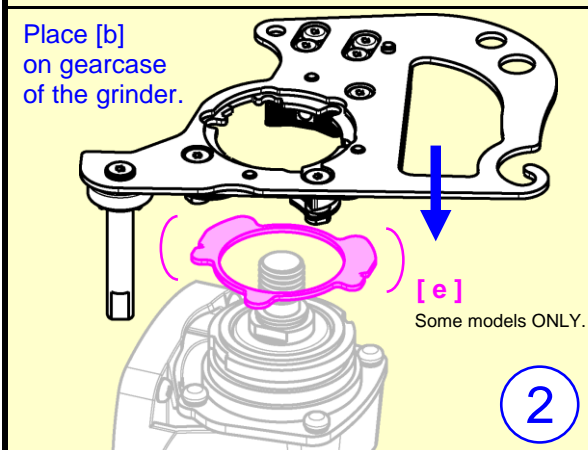
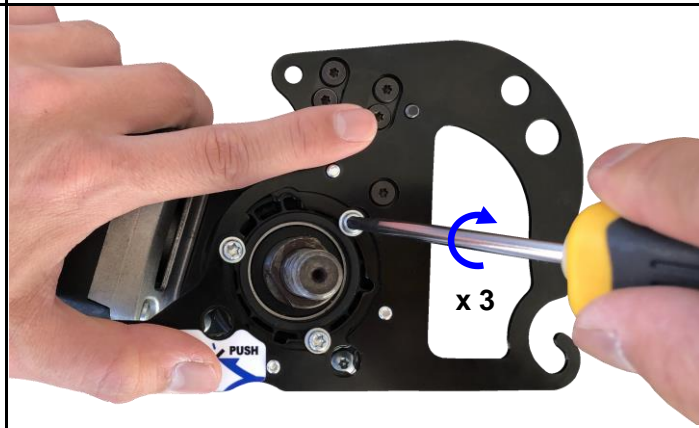
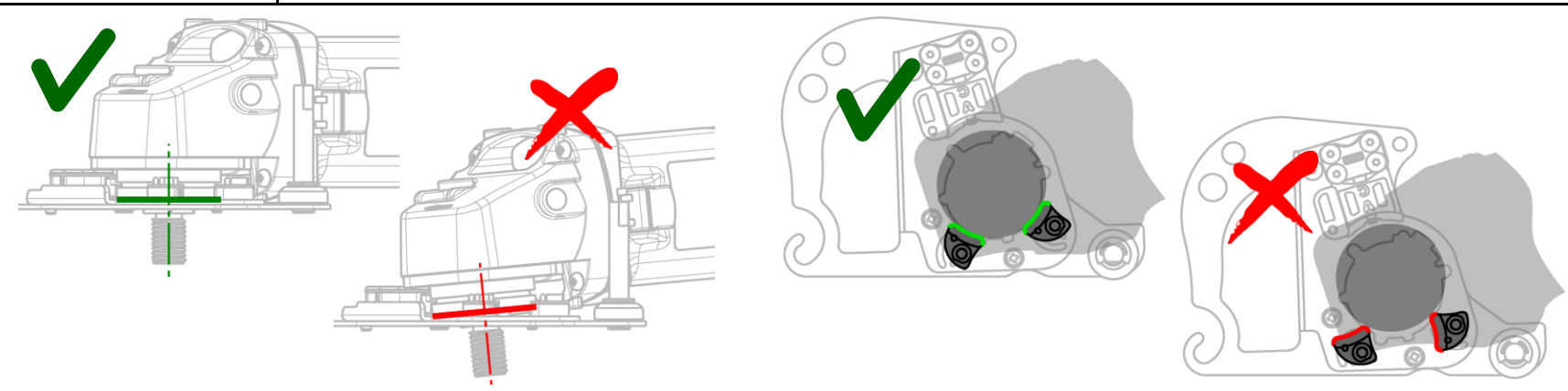
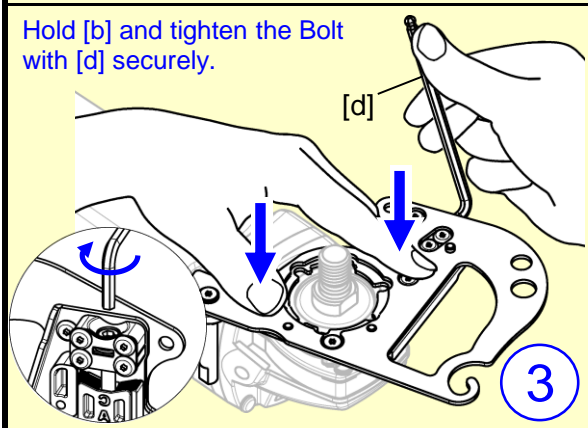
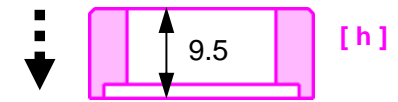
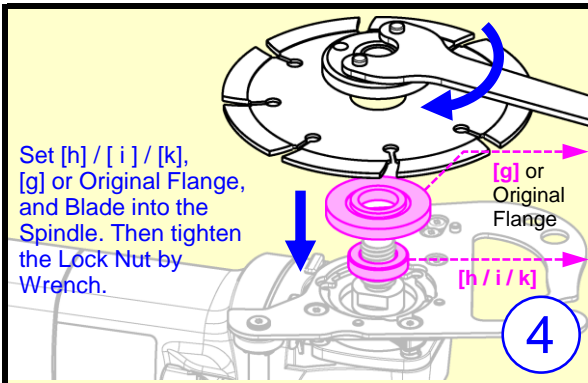




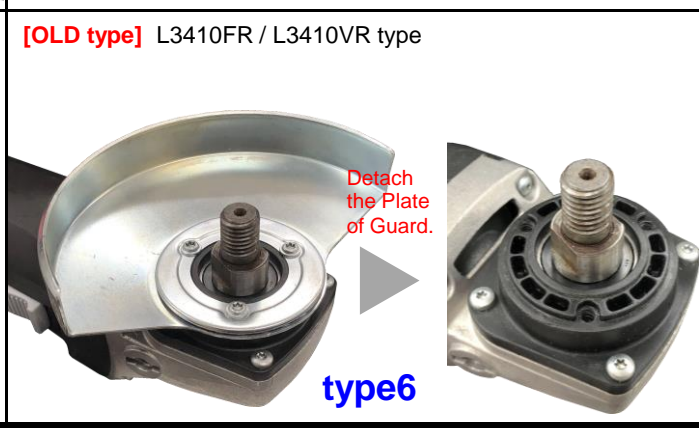
**HIKOKI**

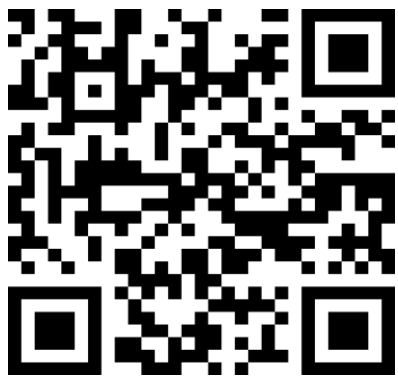
※Based on the web information as of 2022 Jan.





※Based on the web information as of 2022 Jan.





Check the  
instruction  
video.

