

⚠ WARNING

- DO NOT use NK-125MA with the angle grinder which can NOT be fitted correctly as instructed in this manual.
- NK-125MA is only for cutting concrete, block, and tile. DO NOT use for cutting steel or other materials.
- NK-125MA must be used with the Vacuum suitable for the concrete dust.
- NK-125MA is only for 115-125mm Diamond cutting blades. DO NOT use with abrasive wheels or tipped saw blades.
- Always check NK-125MA for damage, cracks, or deformation before use.
- DO NOT use NK-125MA if it is cracked, damaged or bent as this could lead to injury.
- Be sure to wear the protective goggles, dust mask, protective foot wear, earplugs and other protective equipment when working.
- Keep NK-125MA away from gasoline, solvents, and paraffin.
- Ensure the cutting material securely clamped before cutting.

Explanation of the pictograms.



General Warning.



Read the operating instructions before use.



Wear eye protection.



Wear breathing protection.



Wear ear protection.



Wear protective gloves.

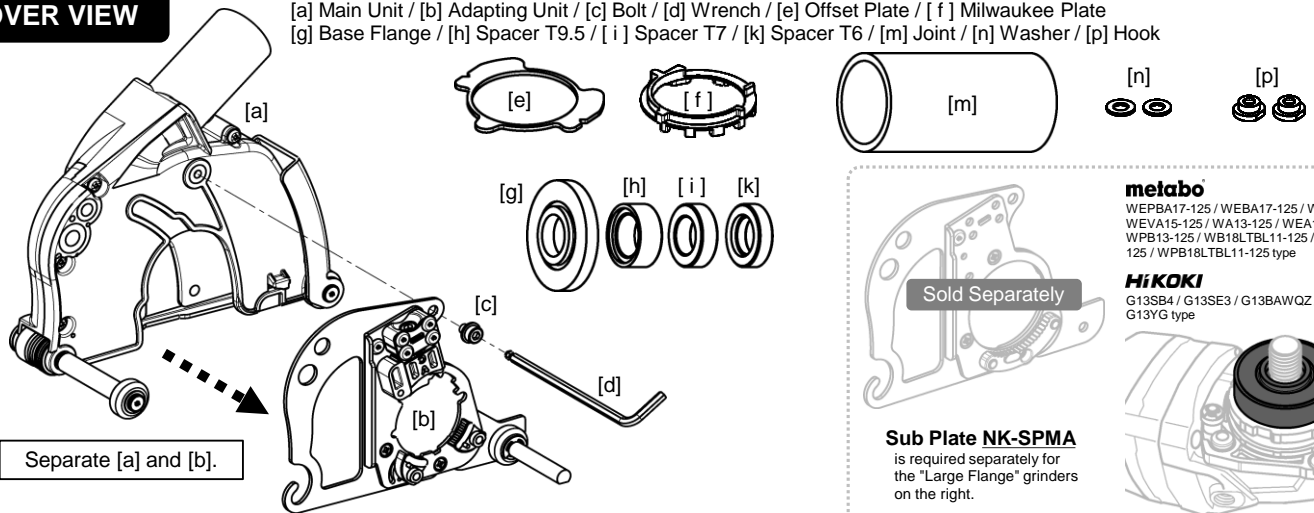
SPECIFICATIONS

Model Code	NK-125MA
Suitable Blade	115-125mm T1.5-2.2mm Diamond Blades.
Cut Depth	5-25mm (125mm Blade) 5-20mm (115mm Blade)
Weight	690g (Main Unit with adaptor system)
Work material	Concrete, Block, and Tile.
Suitable Angle Grinders	Makita / BOSCH / Dewalt / Milwaukee / Metabo / HiKOKI / FLEX 115-125mm class small angle grinder.

※Based on the web as of 2022 Sep.

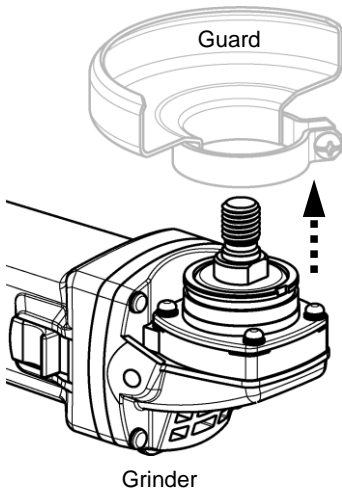
Some special angle grinders (ex. X-LOCK type) may not be installed. Please scan the QR code on the left to check compatibility.

OVER VIEW

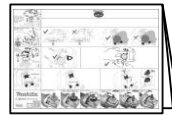


INSTALLATION

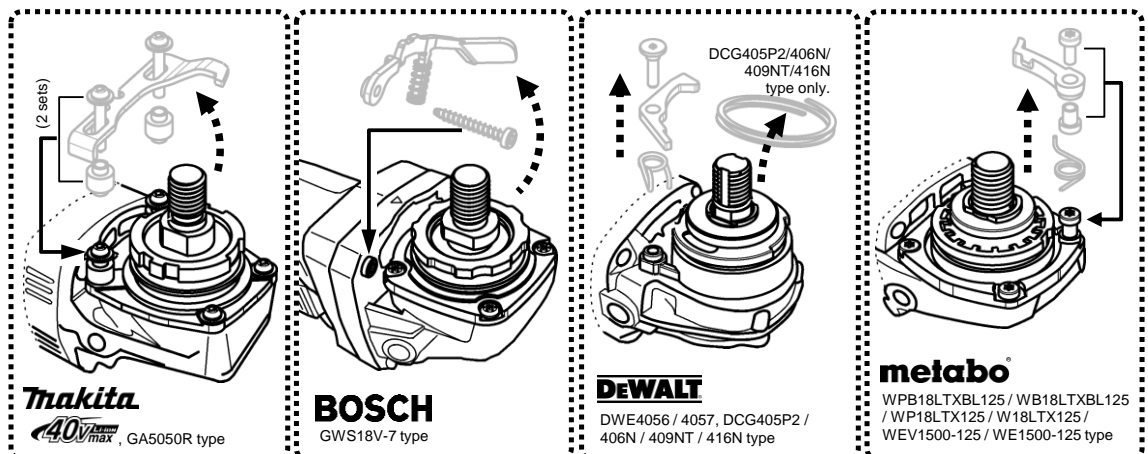
1. Detach the Guard from the grinder.



Check the Installation Guide.

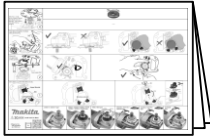


Check the instruction video at this QR code.

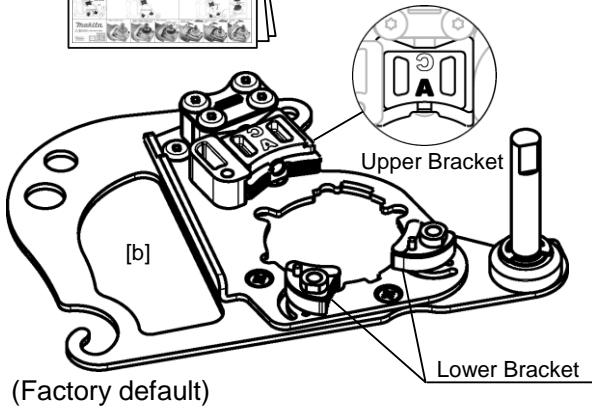


⚠ Above grinder needs its lever and related components detached.

2. Some grinders need preparation for [b] Adapting Unit.



Refer to the Installation Guide.



Makita 40Vmax, GA5050R type **FLEX** L1400 125 type.

[d]

[b]

#7

[n]

(1) Change the Upper Bracket direction by operating [d] Wrench.
(2) Add [n] Washer into the Lower Brackets. (2pcs.)

FLEX L1506VR / L9-11 125 / LE9-11 125 / L12-11 125 / L13-10 125-EC / LE14-7 125 INOX / L15-11 125 / LE15-11 125 / L3406VRG / LB17-11 125 type

[d]

[b]

Bracket Cover

#7

#10

[p]

(1) Change the Upper Bracket direction by operating [d] Wrench.
(2) Detach the Bracket Cover and attach [p] Hook to the Lower Brackets. (2pcs.)

Milwaukee M18FHSAG125 / AGV13-125XSPDEB / M18FSAGV125 / AGV15-125 / AGV13-125 / AG13-125XSPD / AGV12-125 type

Support Bar

[b]

#15

Take Support Bar off from [b] Adapting Unit.

FLEX (OLD type) L3410FR / L3410VR type
Milwaukee HD28AG-125 / AGV17-125 / AG16-125 / AG8-125 / AG9-125 type

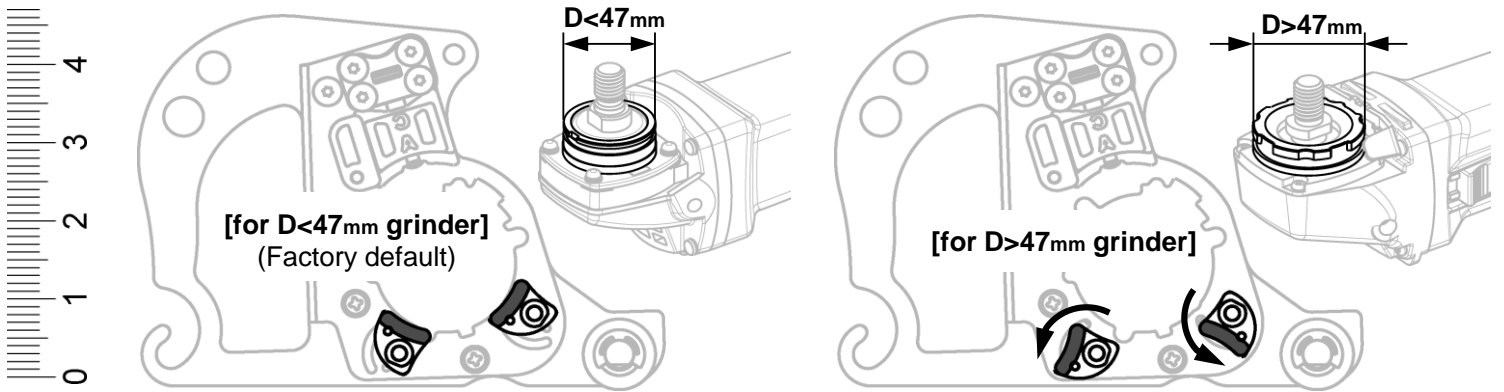
#10 x 5pcs.

#15 x 2pcs.

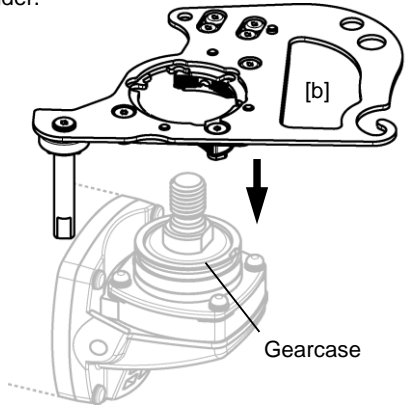
[b]

Take Clamping system off from [b] Adapting Unit.

3. Switch the Lower Brackets position when the gearcase size D of the angle grinder is larger than 47mm.



4. Place [b] Adapting Unit on gearcase of the grinder.



[e] Offset Plate or [f] Milwaukee Plate must be set on gearcase for some grinders.

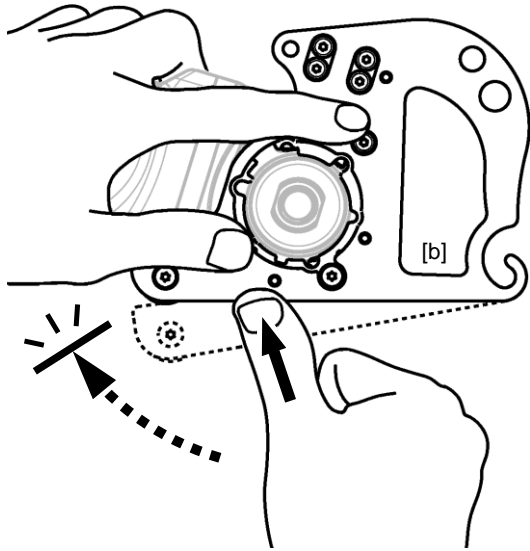
[e]

Makita 9558NB type
DEWALT D28134 / DCG412N type
FLEX L1400 125 type
Milwaukee HD18 type

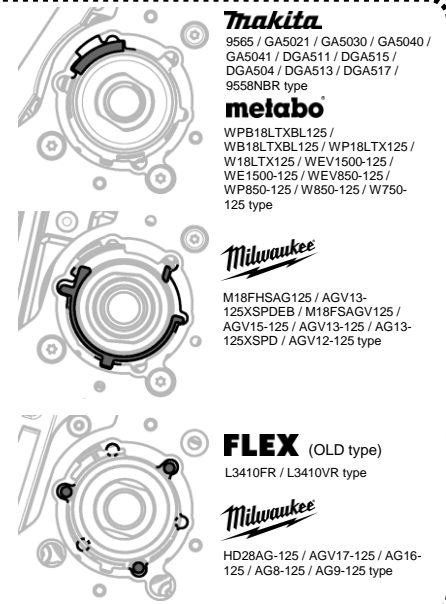
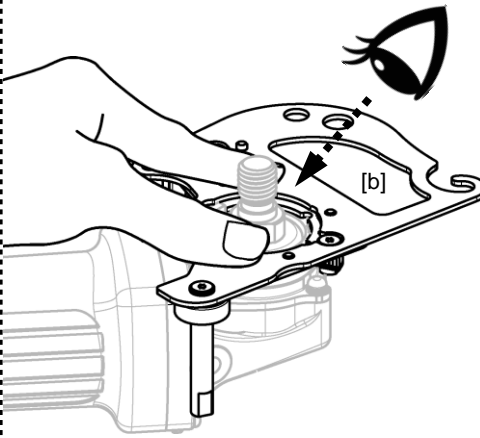
[f]

Milwaukee M18FHSAG125 / AGV13-125XSPDEB / M18FSAGV125 / AGV15-125 / AGV13-125 / AG13-125XSPD / AGV12-125 type

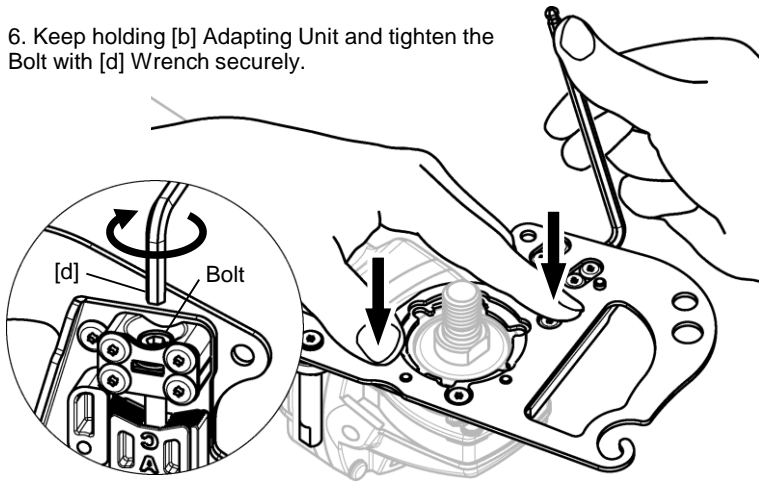
5. Hold [b] Adapting Unit and push its dent at bottom until it stops.



For some grinders, match the shape of grinder's gearcase with the center hole of [b] Adapting Unit then hold it from the top.



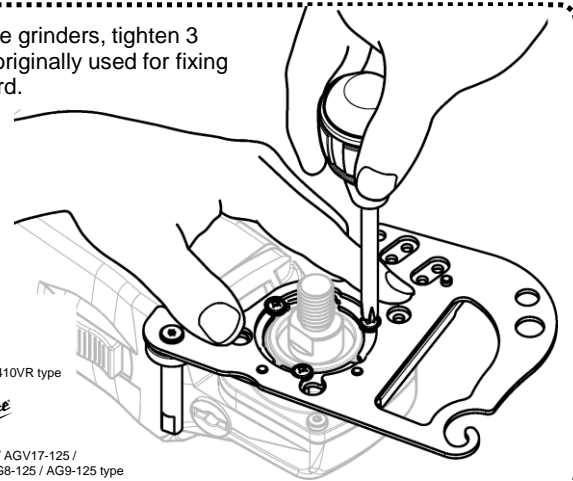
6. Keep holding [b] Adapting Unit and tighten the Bolt with [d] Wrench securely.



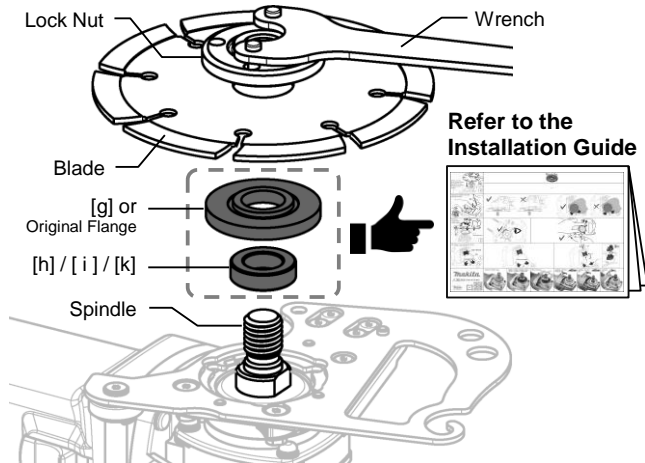
For some grinders, tighten 3 screws originally used for fixing the Guard.

FLEX
L3410FR / L3410VR type

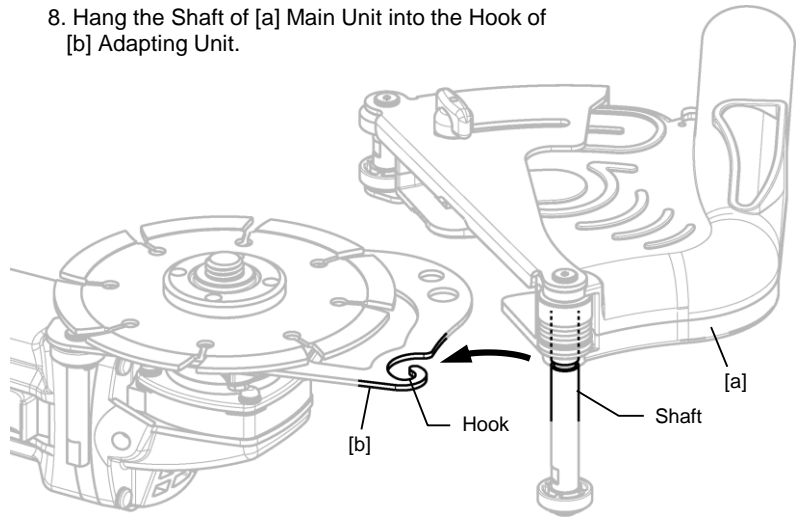
Milwaukee
HD28AG-125 / AGV17-125 / AG16-125 / AG8-125 / AG9-125 type



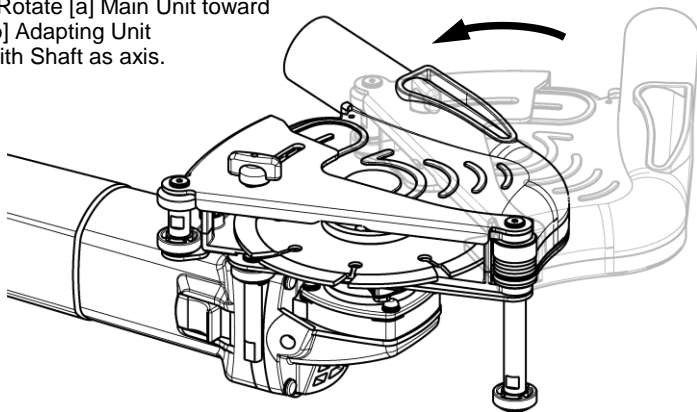
7. Set [h] / [i] / [k] Spacer, [g] Base Flange or Original Flange, and Blade into the Spindle then tighten the Lock Nut by Wrench.



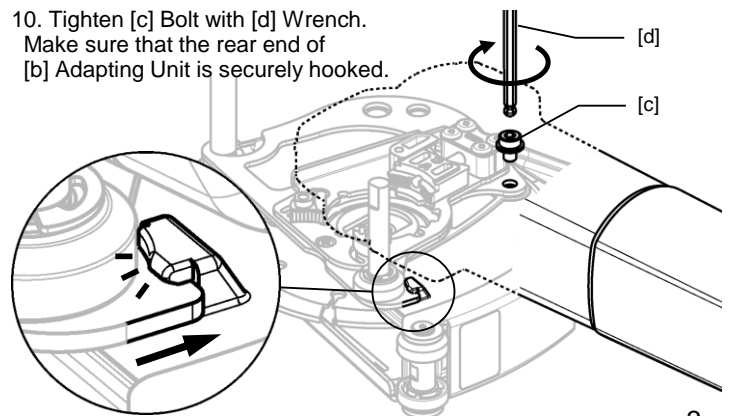
8. Hang the Shaft of [a] Main Unit into the Hook of [b] Adapting Unit.



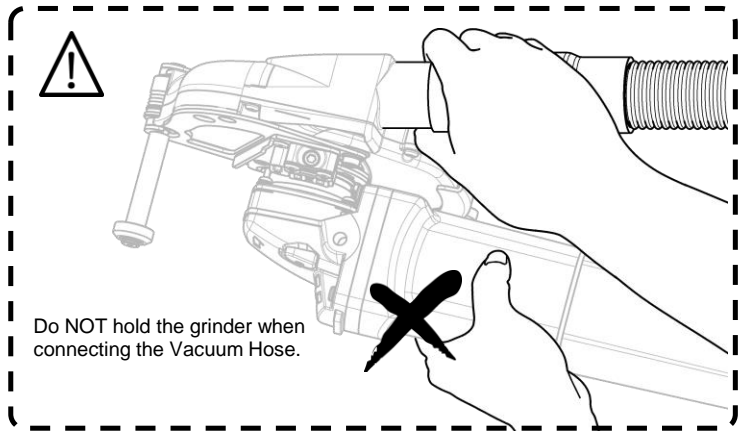
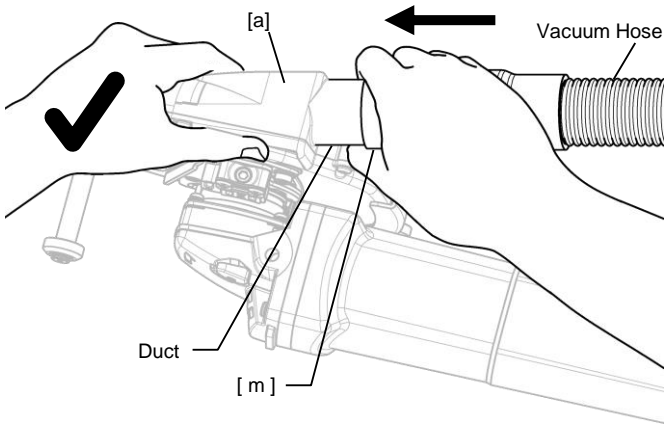
9. Rotate [a] Main Unit toward [b] Adapting Unit with Shaft as axis.



10. Tighten [c] Bolt with [d] Wrench. Make sure that the rear end of [b] Adapting Unit is securely hooked.

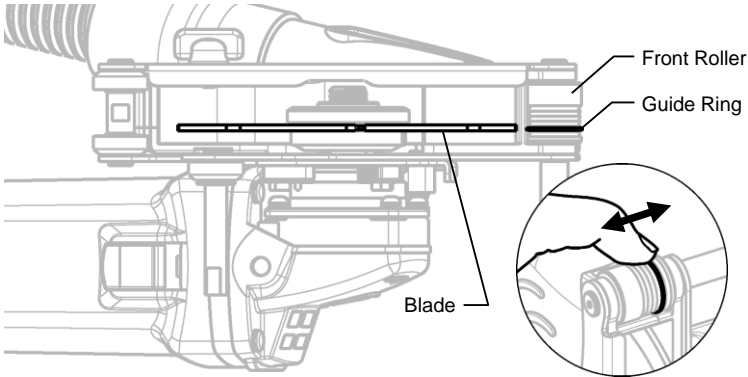


11. Hold [a] Main Unit and connect the Vacuum Hose into the Duct with [m] Joint.

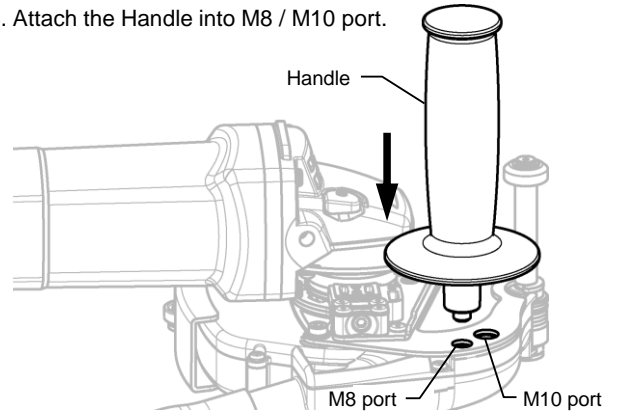


Do NOT hold the grinder when connecting the Vacuum Hose.

12. Adjust the position of Guide Ring at Front Roller with that of Blade.

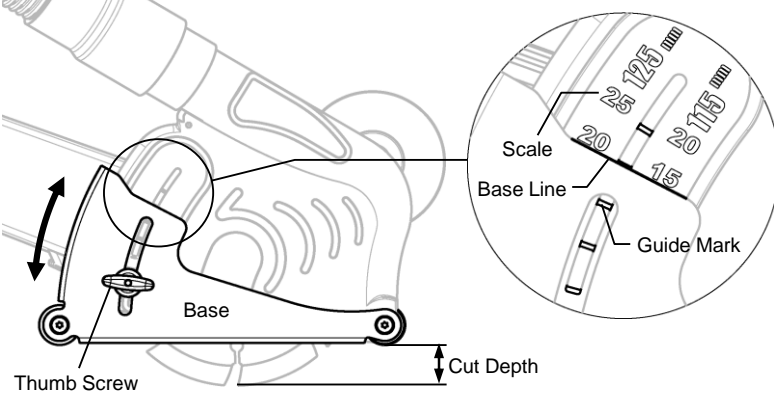


13. Attach the Handle into M8 / M10 port.

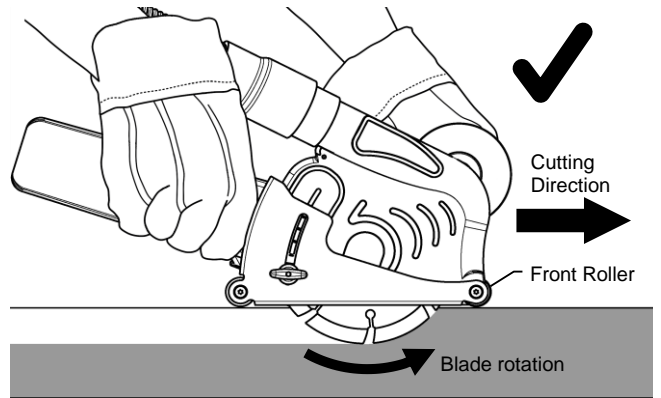


CUTTING

1. Release the Thumb Screw and adjust the position of Base to the required cut depth.
2. The Scale shows the approximate cut depth when the Base Line is aligned with the Guide Mark.



3. Securely hold the angle grinder and handle.
4. Turn on the switch of the vacuum and angle grinder.
5. Place the Front Roller on material, then slowly forward the angle grinder.



⚠ DO NOT lift or move backward the angle grinder as it leads to the scattering of the Dust.

