

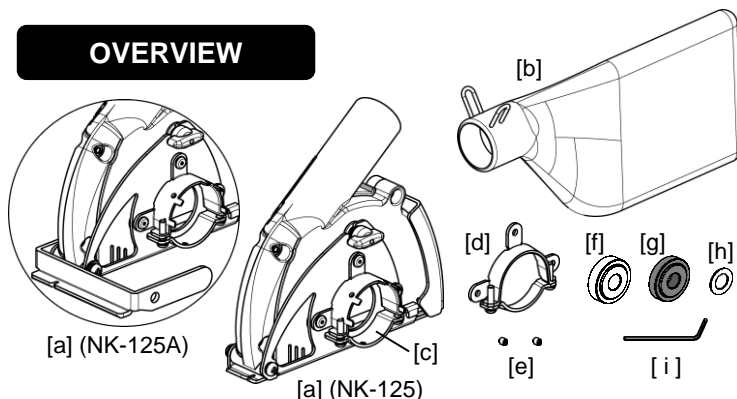
⚠ WARNING

- Confirm compatibility of Grinder and Blade before use.
- Read the instruction manual for the TORNADO, the Grinder, and the Blade before use.
- Be sure to wear protective goggles, dust mask, protective footwear, earplugs and other protective equipment when working.
- Ensure the TORNADO is securely mounted onto the Grinder.
- Confirm the Blade does not rub on the inside of the TORNADO.
- Keep TORNADO away from gasoline, thinners, petroleum and paraffin.
- Do not use TORNADO when it is damaged, cracked or bent as this could lead to injury.
- Do not use worn-out Blade.

SPECIFICATIONS

Model Code	NK-125	NK-125A
Suitable Blade type	D125 x iD20/22 x T1.5-2.2 Diamond Blades.	
Cutting Material	Soft concrete, Block, Stone, ...etc.	
Cutting Depth	5-33mm	
Weight (main unit)	520g	620g
Attachable Grinders	BOSCH : GWS5/6/7/8 100mm series MAKITA : 9553/9556/9563H series HITACHI : G10 series, PDA-100M RYOBI : 100mm series	

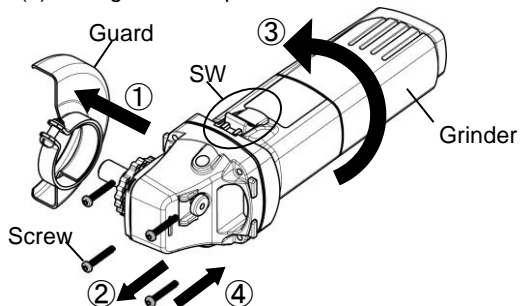
OVERVIEW



[a] Main Unit / [b] Dust Bag / [c] M-Connector / [d] H-Connector
[e] Setscrews / [f] Flange(Silver) / [g] Flange(Black)
[h] Washer / [i] Wrench

INSTALLATION OF GRINDER

(1) Change the SW position of the Grinder.

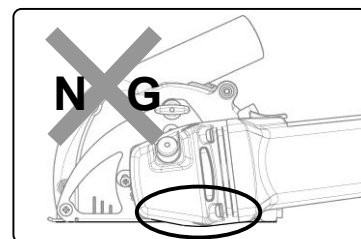
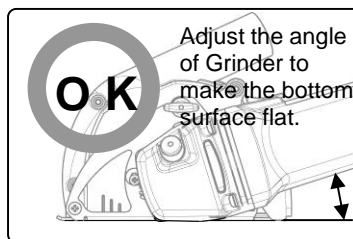
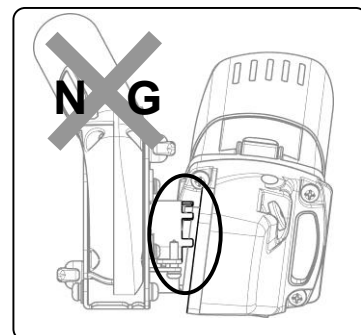
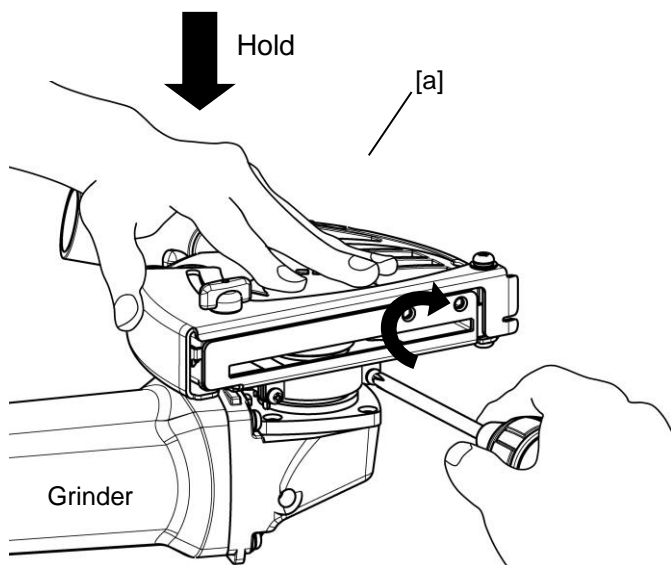


- ① Take the Guard off.
- ② Remove the Screws.
- ③ Turn the Grinder Body to locate the SW upper position.
- ④ Tighten the Screws.

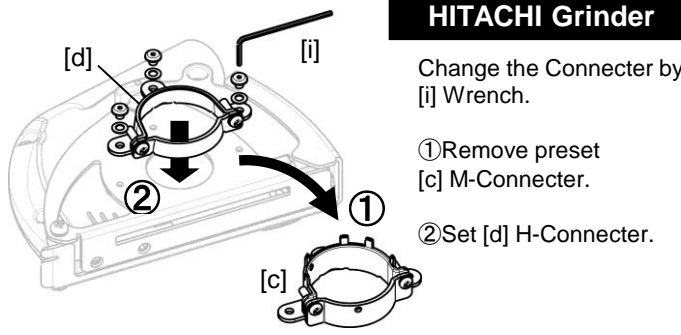
⚠ WARNING

Be sure to turn off the grinder and remove the plug from the power supply before installation.

(2) Fit the Grinder by tightening the screws of the Connector. (Hold the top surface of [a] Main Unit)



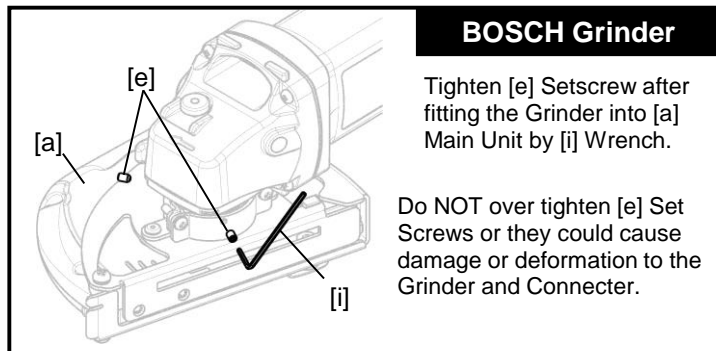
HITACHI Grinder



Change the Connector by [i] Wrench.

- ① Remove preset [c] M-Connector.
- ② Set [d] H-Connector.

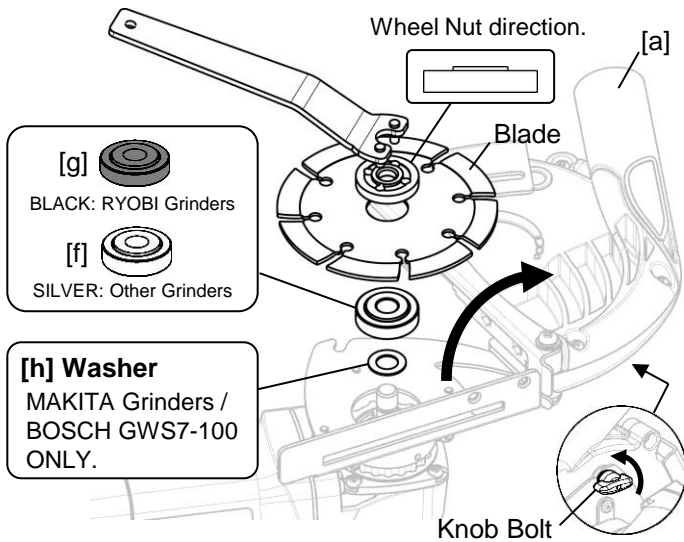
BOSCH Grinder



Tighten [e] Setscrew after fitting the Grinder into [a] Main Unit by [i] Wrench.

Do NOT over tighten [e] Set Screws or they could cause damage or deformation to the Grinder and Connector.

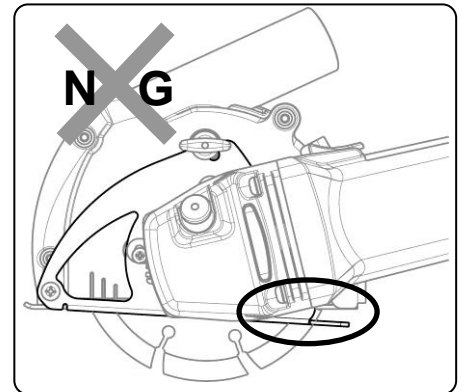
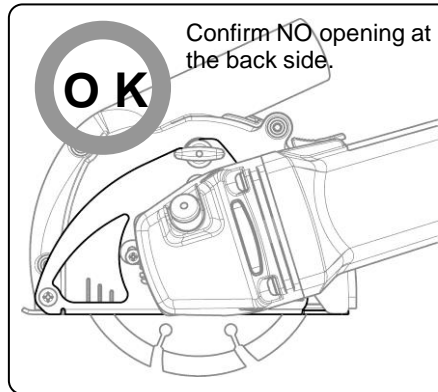
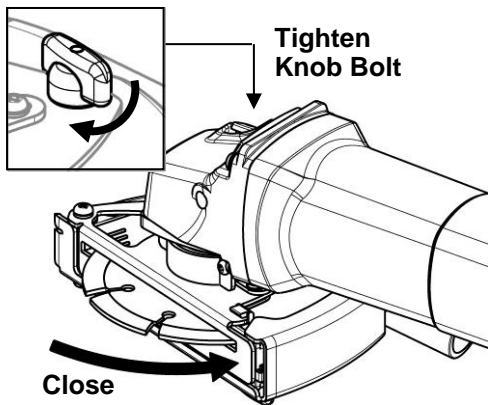
INSTALLATION OF BLADE



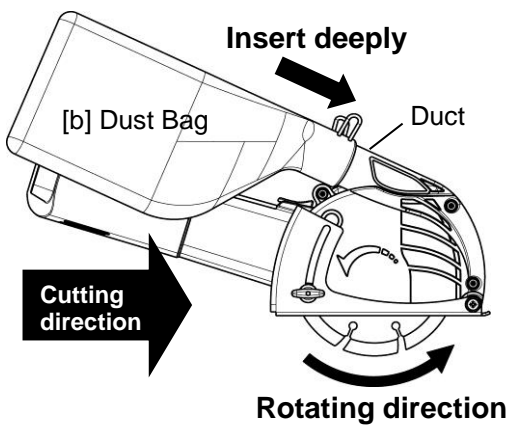
1. Loosen Knob Bolt and open [a] Main Unit.
2. (MAKITA Grinders and BOSCH GWS7-100 ONLY) Set [h] Washer into the Spindle.
3. Set proper Flange [f] or [g] into the Spindle.
4. Set the Blade on the Flange.
5. Set the Wheel Nut on the Blade.
(Be care of the direction of Wheel Nut)
6. Fix the spindle and tighten the Wheel Nut.
7. Close [a] Main unit and tighten the Knob Bolt.

! WARNING

Confirm the Blade does not rub on the inside of [a] Main unit.



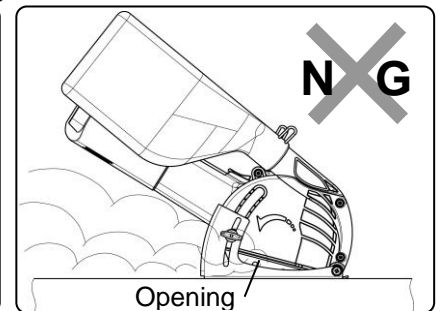
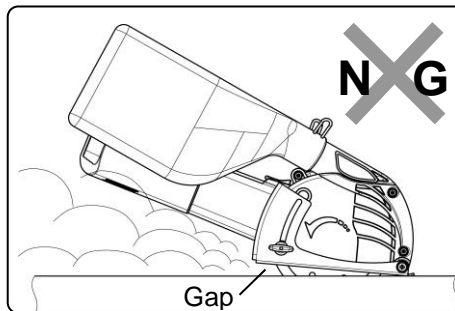
CUTTING (SELF VACUUM)



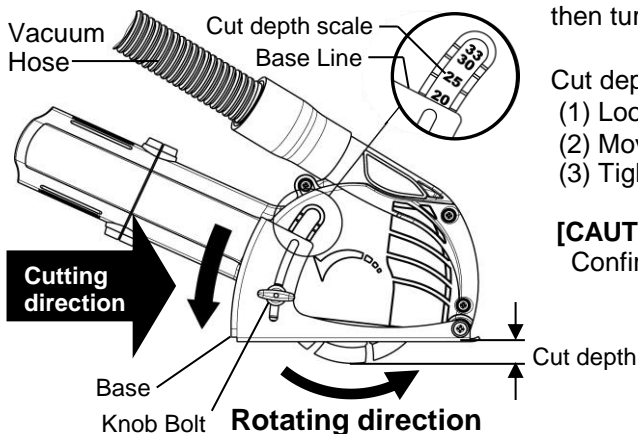
Connect [b] Dust Bag into the duct, then turn on the Grinder and start cutting. Dust Bag should be emptied with every 2m of cutting.

[CAUTION]

1. Confirm the direction of cutting and Blade rotation.
2. Confirm that the fastener of the Dust Bag is securely closed.
3. Do NOT wash the Dust Bag.
4. Self Vacuum can NOT work in following cases.



CUTTING (WITH VACUUM)



Connect the Vacuum Hose into the duct, then turn on the Vacuum and Grinder, then start cutting.

Cut depth can be adjusted by following process.

- (1) Loosen the Knob Bolt.
- (2) Move the Base to match the Base Line on requiring cutting depth.
- (3) Tighten the Knob Bolt.

[CAUTION]

Confirm the direction of cutting and Blade rotation.